

S170 Navi

Owner's Manual

Bedienungsanleitung

Manuel d'utilisation

Istruzioni per l'uso

Instrucciones de uso

ユーザーガイド

Cleanfix Reinigungssysteme AG

General

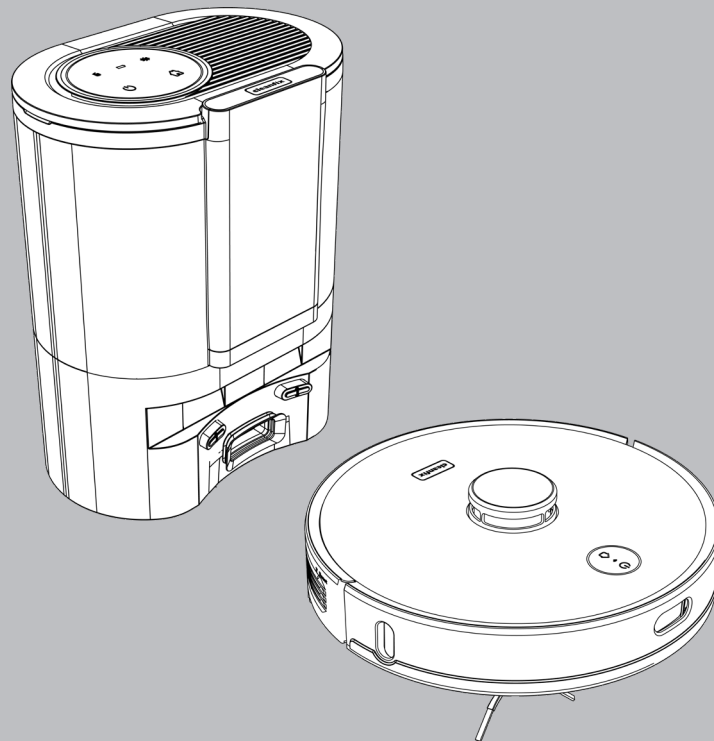
www.cleanfix.com

info@cleanfix.com

Robotics

www.cleanfix-robotics.com

robotic@cleanfix.com



CONTENTS

EN

Product description	1
Installation Notes	7
Instructions for use	8
Maintenance	10
Technical data	17
Common problems	18
Troubleshooting	19

DE

Produktbeschreibung	21
Installationshinweise	27
Gebrauchsanweisung	28
Wartung	30
Technische Daten	37
Häufige Probleme	38
Fehlermeldungen	39

FR

Description du produit	41
Instructions d'installation	47
Instructions d'utilisation	48
Maintenance	50
Données techniques	57
Problèmes courants	58
Dépannage	59

IT

Descrizione del prodotto	61
Istruzioni per l'installazione	67
Istruzioni per l'uso	68
Manutenzione	70
Dati tecnici	77
Problemi comuni	78
Messaggi di errore	79

ES

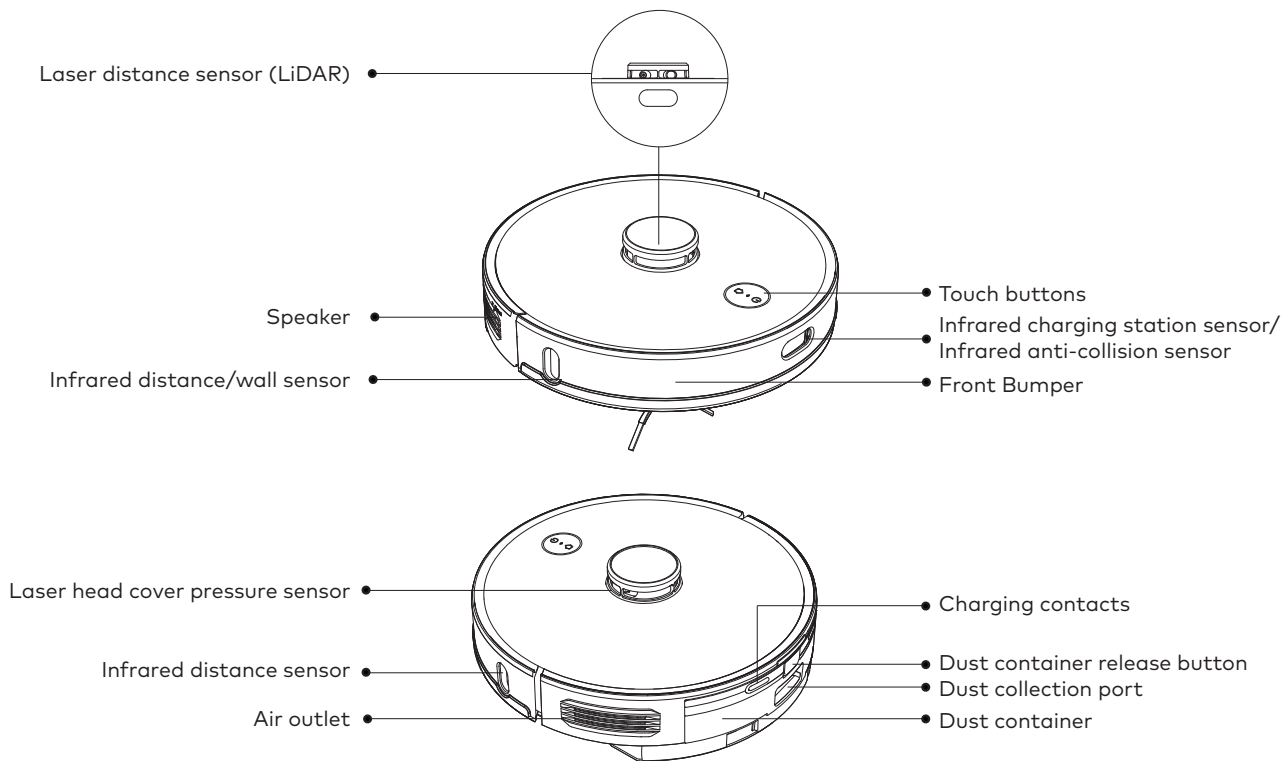
Descripción del producto	81
Instrucciones de instalación	87
Instrucciones de uso	88
Mantenimiento	90
Datos técnicos	97
Problemas comunes	98
Mensajes de error	99

JP

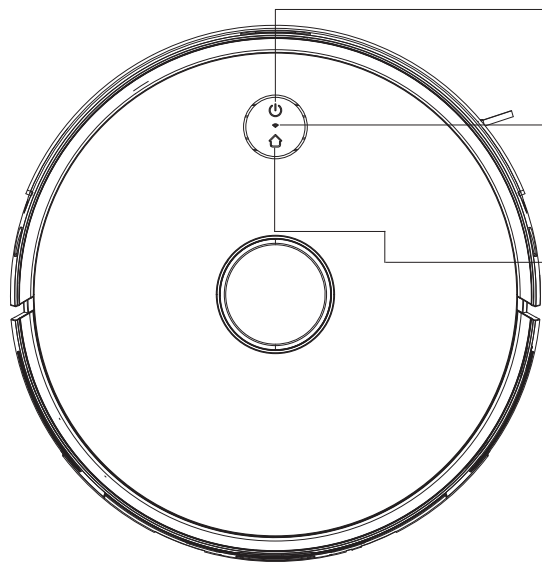
商品説明	101
インストール方法	107
使用説明書	108
メンテナンス	110
技術データ	117
よくある問題	118
エラーメッセージ	119

Product description

Robot Vacuum Cleaner



Controls



Start/Stop button

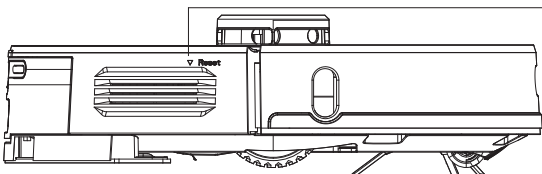
- Long press to turn on/off
- Short press to start/pause cleaning

WiFi indicator



- Flashing white light: Configuring network
- Solid white light: Network is connected

Home button

- Short press to start/pause recharging
- Solid blue light: Working normally/pause/standby
- Flashing blue light: Is powering on/upgrading firmware
- Flashing yellow light: Low battery/going home
- Flashing green light: Charging
- Solid green light: Fully charged
- Flashing red light: Abnormal/Error
- Lights off: Device off/in standby




Network configuration

- While power is on, press and hold the buttons  and  simultaneously for 5 seconds

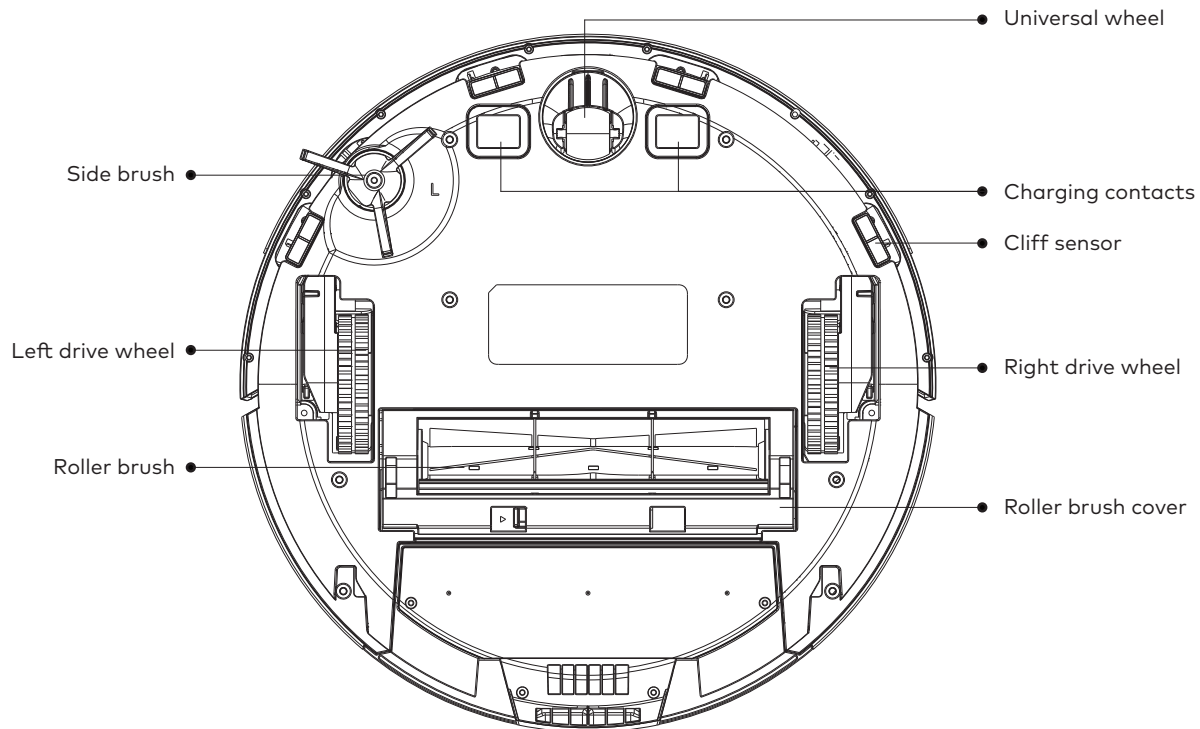
Force-shutdown button

- Short press to turn off

Pairing mode (with Dust Collector)

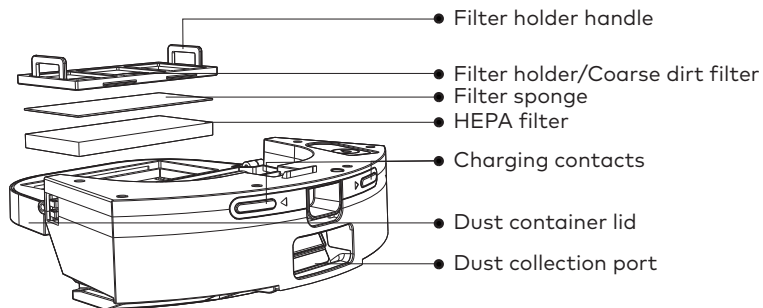
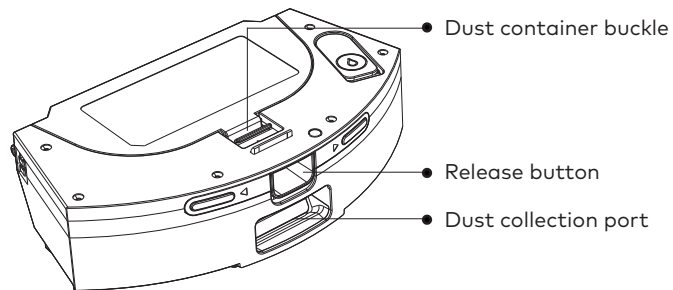
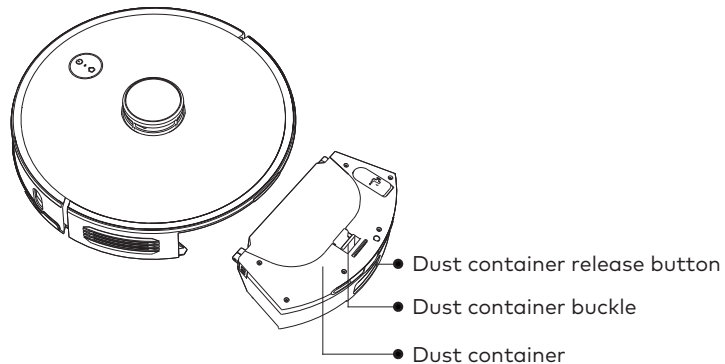
- Press and hold the home button  for 5 seconds during power-on process.

Sensors

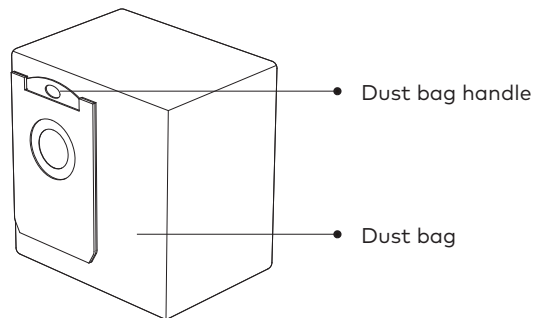
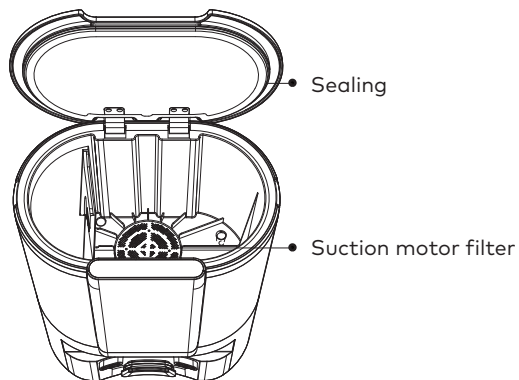
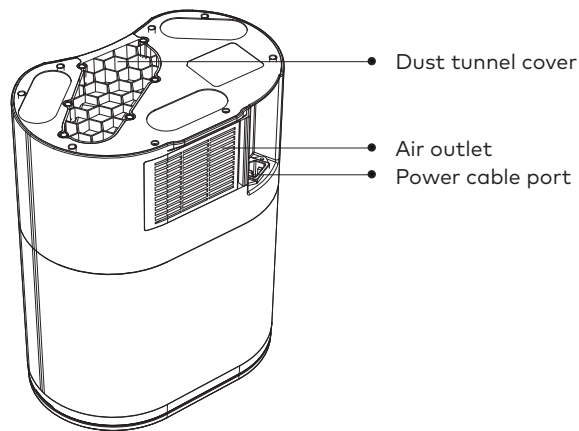
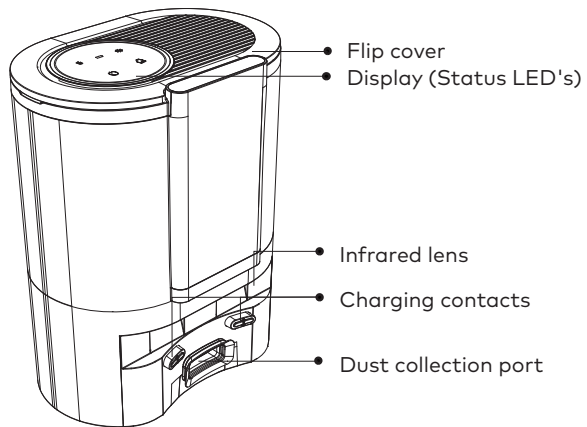


- EN
- DE
- FR
- IT
- ES
- JP

Dust container



Dust collector



EN

DE

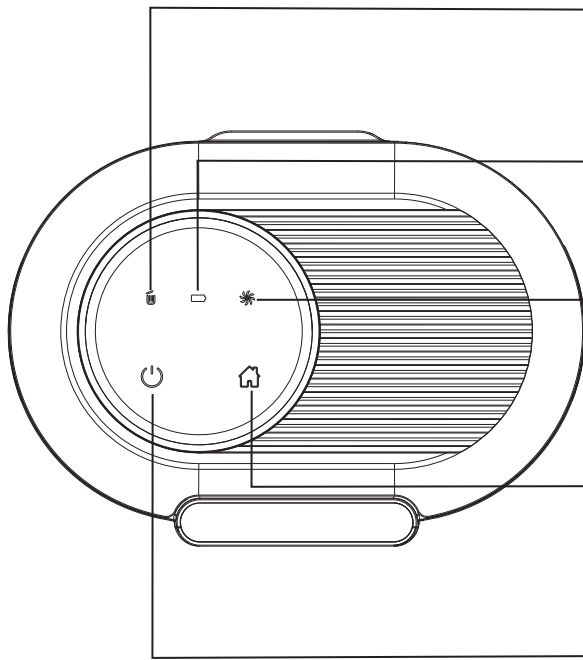
FR

IT

ES

JP

Dust collector controls and indicators



Dust bag indicator

- Solid green light: The dust bag is full / the dust tunnel is blocked
- Flashing red light: No dust bag is installed / dust bag is not correctly in place



Charging indicator

- Flashing green light: Charging
- Solid green light: Fully charged / powered on



Fan indicator

- Solid green light: Collecting dust
- Flashing red light: Fan overheated / fan error / the dust collector lid is not closed properly



Home button

- Short press: Return to collect dust and charge
- Press and hold for 3 seconds: Return to collect dust and then continue cleaning at the previous position



Start/Stop button

- Short press: Start auto cleaning / pause cleaning
- Press and hold for 3s: Start spot cleaning

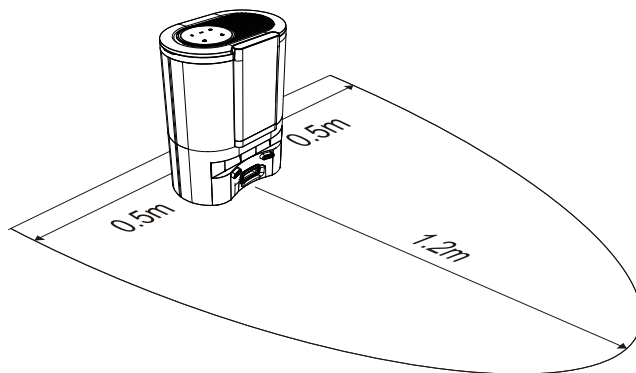
Installation Notes

Install the dust collector

1. The dust collector should be placed on a flat surface more than 6cm away from the wall.



2. Ensure there is space of more than 1.2m at the front, and more than 0.5m on both sides of the dust collector.



About the Dust Collector

The dust collector unit is designed to collect dust and charge the robot vacuum cleaner. When cleaning is completed, the robot automatically returns to the dust collector, which collects all the dirt and dust and recharges it automatically. Once a dust bag is filled with dust and dirt, it should be replaced with a new one to maintain the filtering effect.

EN

DE

FR

IT



ES

JP

Instructions for use

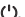
Robot vacuum cleaner

Power on/off

Press and hold the button , to turn the robot on.
After startup, press and hold the , to shut down the system.

Note: When charging at the dust collector, the robot vacuum cleaner is automatically switched on and cannot enter standby mode during the whole charging process.

Clean/Pause

When switched on, short press the button , to start cleaning the entire reachable area.

Press any button on the robot to stop cleaning.

If the battery is too low, cleaning will not start. Please charge the device first and then restart cleaning.

If the battery charge is not sufficient during the cleaning process, the robot vacuum cleaner automatically returns to the dust collector for recharging. As soon as the battery reaches 80%, the robot will continue cleaning from the previous position.




Note: It is recommended that the robot vacuum cleaner starts cleaning from the suction station.

Dust collector

Start/Stop button


Short press: Start cleaning / Stop cleaning
Press for 3 seconds: Start spot cleaning

Pair dust collector and robot (paired in default factory settings)

1. On the dust collector press the buttons  and  for 5 seconds: The dust collector enters pairing mode. The three status LED's on the top flash green.
2. On the robot vacuum cleaner press the button  for 5 seconds: The robot enters pairing mode. The two status LED's on the top flash green.
3. Place the Robot at the dust collector to charge. A voice prompt will confirm that pairing is/was successful.

Charging

Automatic charging: The robot vacuum Cleaner automatically returns to the dust collector to recharge, when cleaning is complete or when the battery charge is insufficient.

Manual charging: Press the button , to send the robot back to the charging station and start charging. After pausing/stopping the robot, you can also manually place it to the dust collector for charging.

Note: Please make sure that the charging contacts have good contact and are clean.

Standby mode

If no cleaning cycle is started for more than 20 minutes, the robot vacuum cleaner automatically enters standby mode.

Note: The Robot Vacuum Cleaner does not enter sleep mode while charging.

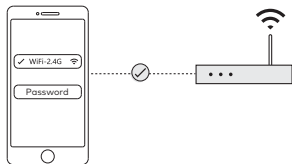
Note: If the robot vacuum cleaner has been paused or has stopped by itself and it has insufficient battery, it will automatically shut down.

Home button

Short press: Return to the dust collector and start charging.
Press and hold for 3 seconds: Return to the dust collector, charge and then continue cleaning at the previous position.

Connect Robot to the Cloud

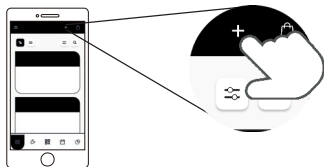
- ① Connect your cell phone or tablet to the desired WLAN. (The WLAN must support the 2.4 GHz frequency!)



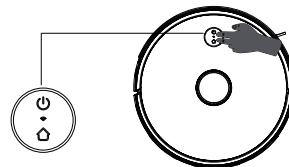
- ② Scan one of the QR codes below or search for "FieldBots" in your mobile device's app store. Download the app and log in with your FieldBots account.



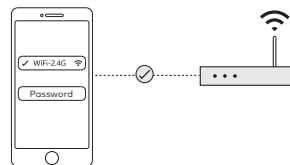
- ③ Click on the "Plus (+)" in the upper right corner and select the robot vacuum cleaner "Cleanfix S170 Navi".



- ④ Press and hold the "⏻" and "🏠" button for 5s to start the network configuration of the robot vacuum cleaner.



- ⑤ Select the recently connected WLAN of your mobile device and enter the password again.



- ⑥ Now open the WLAN settings of your mobile device and connect to the WLAN "SmartLife-XXXX".



- ⑦ Return to FieldBots and wait until the network configuration is completed.

EN

DE

FR

IT

ES

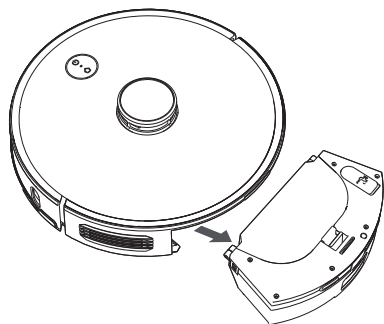
JP

Maintenance

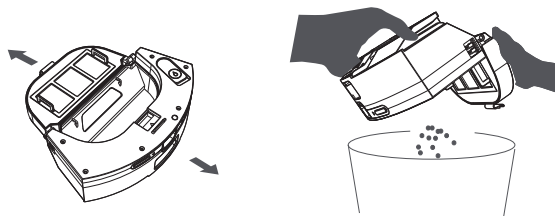
Weekly Maintenance

Dust container

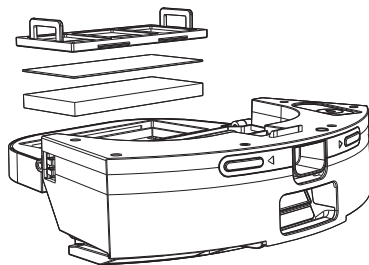
① Press the dust container release button and take out the dust container.



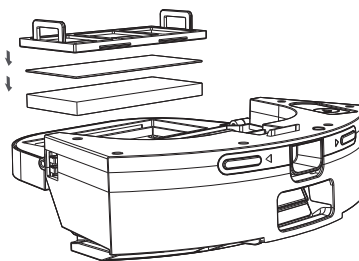
② Open the dust container and empty it.



③ Remove and clean the coarse dirt filter and filter sponge. Rinse the coarse dirt filter and the dust container with water and dry them. If heavily dirty, replace the HEPA filter.



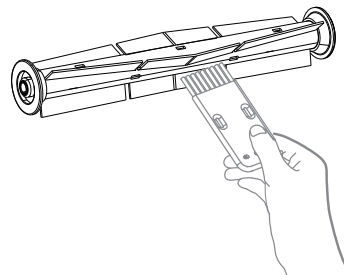
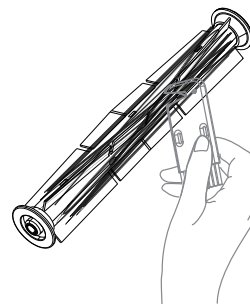
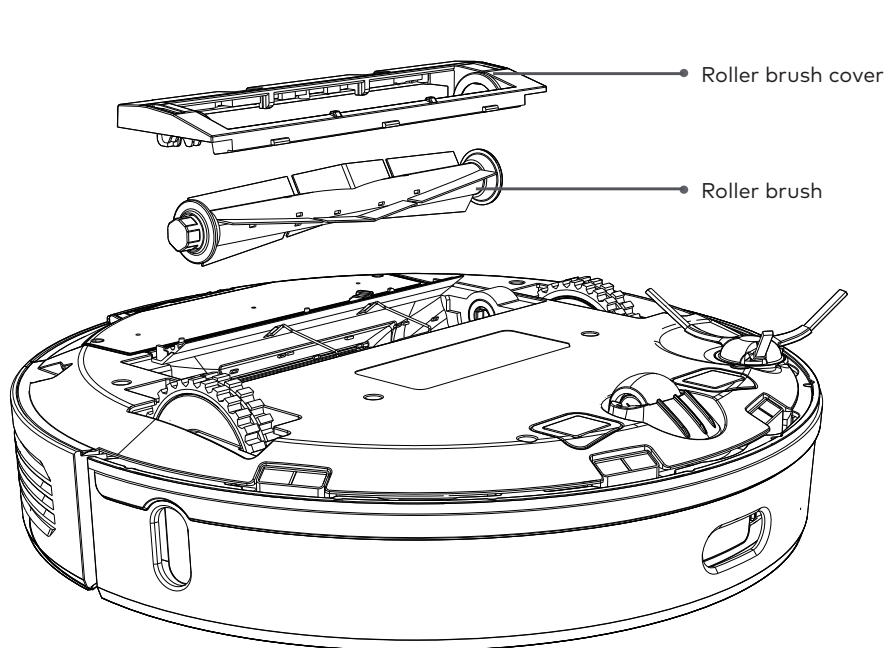
④ After the filter and dust container are both dried, put them back together for next use.



Roller brush

- ① Turn the robot vacuum cleaner, press the left and right retaining clips and remove the roller brush cover.
- ② Remove the roller brush and free it from tangled hair and dirt/dust with the cleaning brush.
- ③ Reinstall the roller brush and fasten it with the roller brush cover. Make sure that the cover snaps in well!

Note: Depending on use, it is recommended to replace the roller brush every 6-12 months to ensure the most effective cleaning results.



EN

DE

FR

IT

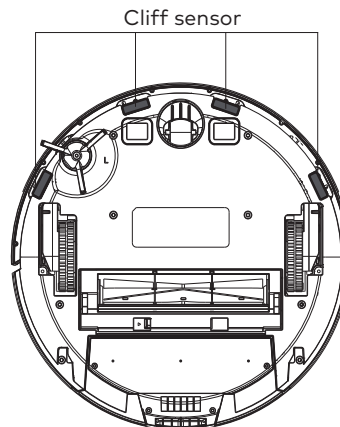
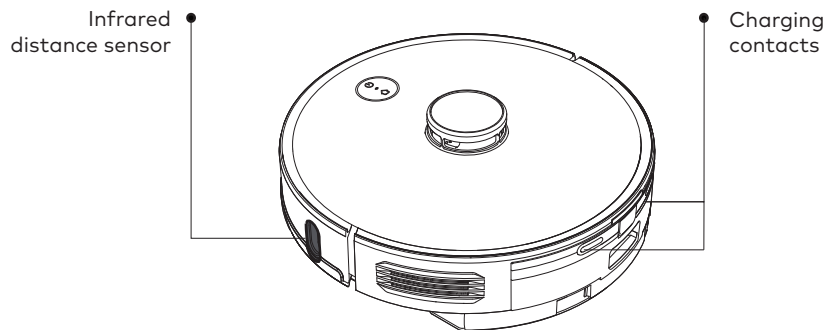
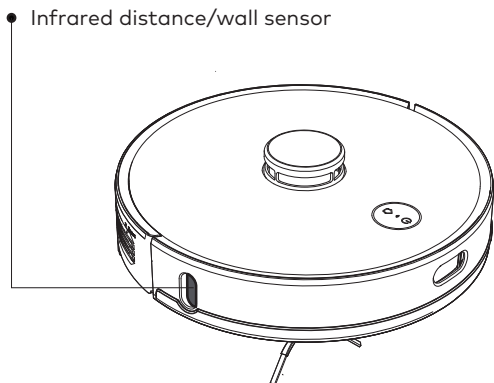
ES

JP

Sensors

Clean the following sensors on the robot vacuum cleaner with a soft and dry cloth:

- ① The 4 cliff sensors on the bottom.
- ② The infrared distance/wall sensor on the right side.
- ③ The infrared distance sensor on the left side.
- ④ The charging contacts on the back.

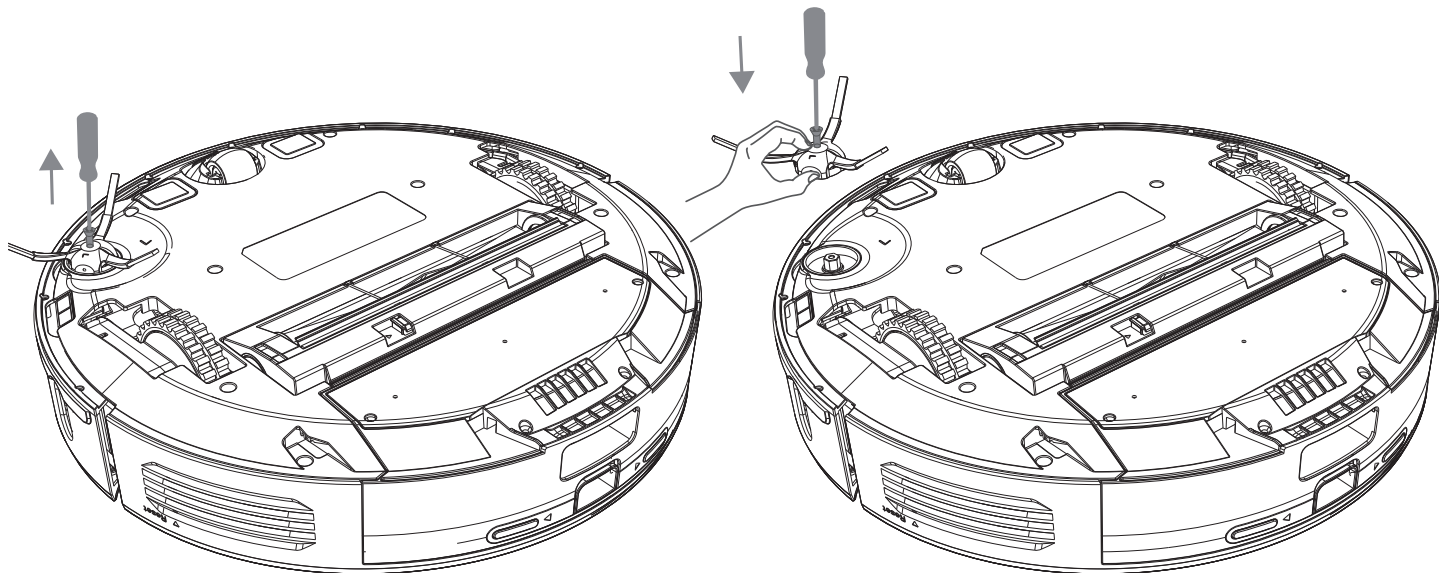


Monthly Maintenance

Side brush

- ① Use a screwdriver to loosen the side brush screw and remove it.
- ② Reinstall the side brush after removing wrapped hair and dirt/dust on the side brush.

Note: Depending on the application, it is recommended to replace the side brush after 3-6 months to ensure optimal cleaning performance.



EN

DE

FR

IT

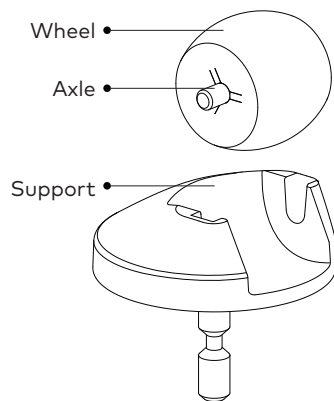
ES

JP


Universal wheel

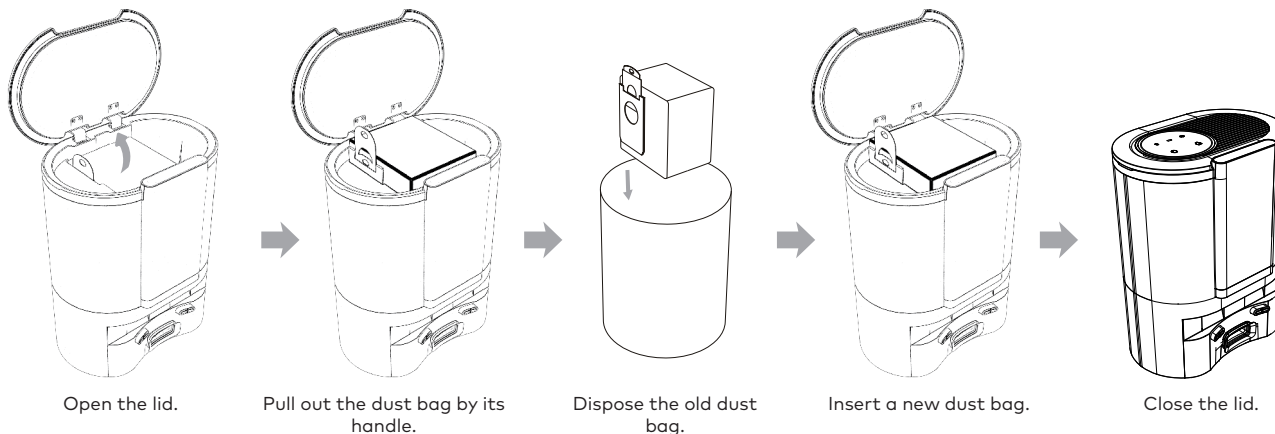
- ① Flip the robot vacuum cleaner and pull out the universal wheel upwards.
- ② Free the wheel, axle and support from hair and dust.
- ③ Reinstall the universal wheel and press it tight.

Note: Wash it with water, dry it and put it back.




Change dust bag

Once the dust bag is full, the indicator on the dust collector  lights up green. Please replace the dust bag with a new one! It is recommended to replace the dust bag every 6-8 weeks.

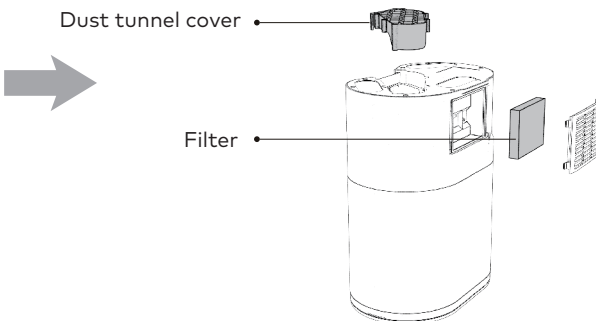


Note: The handle on the dust bag serves as a closure. When pulled up, it closes automatically.

Cleaning the suction unit/tunnel

- ① If the dust bag indicator light  lights up solid green, but the dust bag is not full, disconnect the power plug and turn dust collector over. Open the cover of the dust tunnel by loosening the screws* and free it from dirt and foreign objects.
- ② Open the air outlet at the rear of the dust collector and clean the filter.

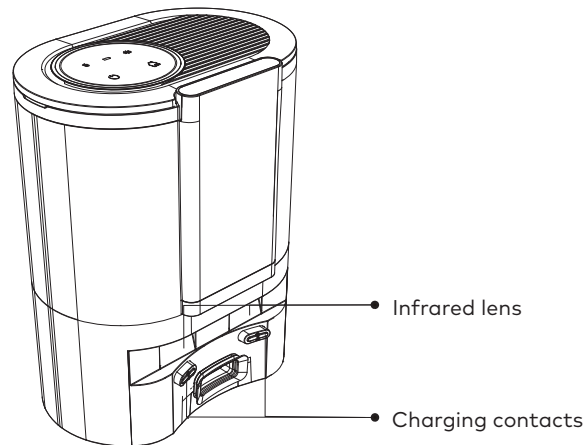
***Do not disassemble the screws by force, but carefully with a screwdriver. After each disassembly, reassemble everything according to the original design.**



Cleaning the infrared lens and the charging contacts of the dust collector

Check the infrared lens and charging contacts of the dust collector for dirt and clean them with a clean and dry cloth.

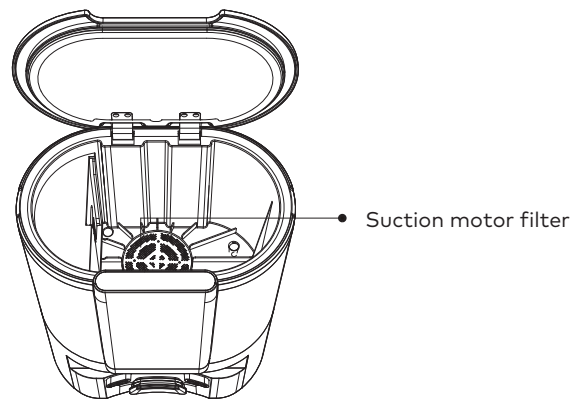
Note: It is recommended to clean them at least once a month.



Cleaning the suction motor filter

Check whether dirt has accumulated on the suction motor filter. If so, remove the filter and clean it with the cleaning brush or a dry cloth.

Note: It is recommended to clean it at least once a month.



Technical data

Robot vacuum cleaner

Description	Value
Dimensions	φ350mm x φ350mm x 98mm
Product weight	≈3.6kg
Rated voltage	14.4V ---
Rated power	50W
Battery capacity	5200mAh

FCC Statement

1. This device complies with Part 15 of the FCC Rules. Operation is subject to the following two conditions:

(1) This device may not cause harmful interference, and

(2) This device must accept any interference received, including interference that may cause undesired operation.

2. Changes or modifications not expressly approved by the party responsible for compliance could void the user's authority to operate the equipment.

NOTE:

This equipment has been tested and found to comply with the limits for a Class B digital device, pursuant to Part 15 of the FCC Rules. These limits are designed to provide reasonable protection against harmful interference in a residential installation.

This equipment generates uses and can radiate radio frequency energy and, if not installed and used in accordance with the instructions, may cause harmful interference to radio communications. However, there is no guarantee that interference will not occur in a particular installation. If this equipment does cause harmful interference to radio or television reception, which can be determined by turning the equipment off and on, the user is encouraged to try to correct the interference by one or more of the following measures:

- Reorient or relocate the receiving antenna.
- Increase the separation between the equipment and receiver.
- Connect the equipment into an outlet on a circuit different from that to which the receiver is connected.
- Consult the dealer or an experienced radio/TV technician for help.

FCC Radiation Exposure Statement

This equipment complies with FCC radiation exposure limits set forth for an uncontrolled environment.

This equipment should be installed and operated with minimum distance 20cm between the transmitter & your body.

Dust collector

Description	Value
Overall Dimensions	282mm x 361mm x 202mm
Power Rating	1050W
Input Rating	100-240V ~50/60Hz
Output Rating	DC24V---1.2A

EN

DE

FR

IT

ES

JP

Common problems

Problem description	Solution
Unable to boot	<ul style="list-style-type: none"> The battery is low, please manually put the robot back to the dust collector for recharging before using it. The ambient temperature is too low (less than 0° C) or too high (higher than 40° C).
Unable to start cleaning	<ul style="list-style-type: none"> The battery is low, please put the robot back to the dust collector to recharge manually before using it.
Unable to recharge	<ul style="list-style-type: none"> There are too many obstacles near the dust collector. Please place the dust collector in an open area. The main unit is being too far away from the dust collector. Please try to place the main unit near the dust collector.
Abnormal behavior	<ul style="list-style-type: none"> Reboot it after shutdown.
There is an abnormal noise during cleaning	<ul style="list-style-type: none"> The roller brush, side brush or left/right wheel may be wrapped with foreign objects, please clean them after shutdown.
Declining in cleaning ability or dust falling out of the machine.	<ul style="list-style-type: none"> The dust container is full, please empty it. HEPA-Filter is blocked, please clean or replace it. The roller brush is wrapped by foreign objects, please clean it.
Unable to connect Wi-Fi	<ul style="list-style-type: none"> The Wi-Fi signal may not be good, please make sure the machine is in an area with optimal Wi-Fi signal coverage. The Wi-Fi connection may be abnormal, please reset your Wi-Fi, download the latest app and try to connect it again.
Cleaning paused / does not continue	<ul style="list-style-type: none"> Please confirm that the machine is not in the "do not disturb mode", it will not continue to clean in this mode. Recharging the machine manually or placing it back to the dust collector will lead the machine not to continue cleaning at previous position.
Cannot return to the dust collector after spot cleaning or changing the position	<ul style="list-style-type: none"> After spot cleaning or a major relocation, the robot will regenerate the map. If the dust collector is too far away, it may not be able to recharge automatically. Please place it back to the dust collector manually.
Unable to charge	<ul style="list-style-type: none"> Make sure that there is enough free space around the dust collector and that the charging contacts are not are dirty.
Scheduled cleaning does not work	<ul style="list-style-type: none"> Please confirm that the device is connected to a network. If it is not, you cannot synchronize the scheduled cleaning task.
The machine is always offline.	<ul style="list-style-type: none"> Please ensure that the machine is successfully connected to a network and is always within the Wi-Fi coverage.
The mobile phone cannot pair the device.	<ul style="list-style-type: none"> Please make sure that the dust collector and the machine are within the Wi-Fi coverage and the signal is optimal. Follow the instructions to reset the Wi-Fi and then pair it again.

Troubleshooting

Robot vacuum cleaner

Fault prompt	Solution
Abnormal 1: The LiDAR sensor is blocked or disturbed.	Please check the LiDAR sensor for dirt or foreign objects and remove them. Place the robot to another location and restart it.
Abnormal 2: Please clean the cliff sensor and move to a new position to start	Clean the cliff sensors and place the robot in a new location (the position of the sensors can be found in this owner's manual).
Abnormal 3: A strong magnetic field is detected.	Please move the device to another location and try again.
Abnormal 4: Please check the front bumper and remove any foreign objects near it.	Remove any foreign objects that might interfere the front bumper. The front bumper must be able to be pressed with little force.
Abnormal 5: The temperature of the device is abnormal.	The temperature of the machine is too high or too low. Please wait until the temperature returns back to normal before try to restart cleaning.
Abnormal 6: The charging process is abnormal.	Check if the original power cable is used and if it is plugged in correctly. Make sure that the dust collector is placed on a level and flat surface. Clean the charging contacts.

EN

DE

FR







IT

ES

JP

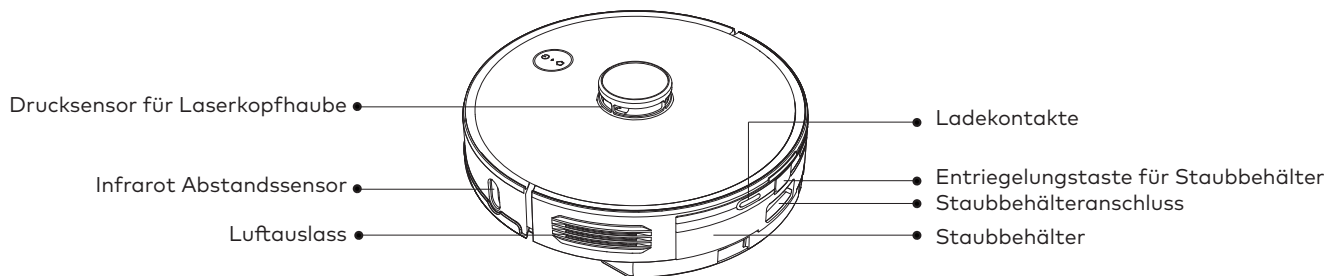
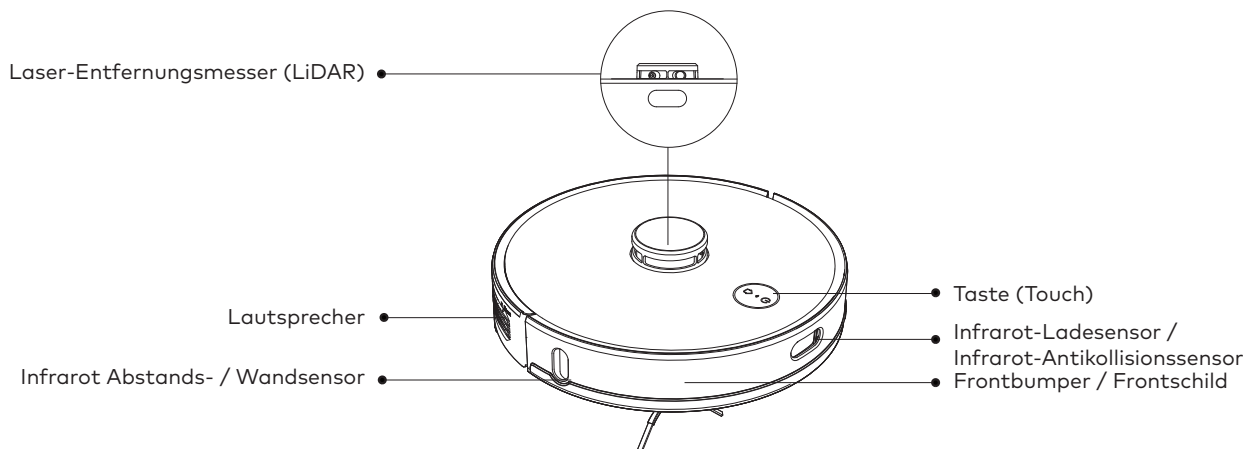
Dust collector

The dust collector indicates its current status via the status-LED's on top of the lid:

Indicator light	Common error	Solution
 Flashing red	Fan error / overheating / the dust collector's lid is not closed properly	<ol style="list-style-type: none">1. Frequent suction can cause the overheating protection of the dust collector to be triggered. Allow the suction motor to cool down and try again after approx. 30 minutes.2. Make sure the cover of the suction station is completely closed and seals well. Also make sure that the robot vacuum cleaner is placed at the dust collector for charging and that the charging contacts are in contact.
 Flashing red	The dust bag is not installed / not correctly in place	<ol style="list-style-type: none">1. Check whether a dust bag is installed. If not, insert a new dust bag.2. Check that the dust bag is installed correctly and that the sensors of the dust bag holder detect the bag.
 flash simultaneously	Failed to pair / Not paired yet	<ol style="list-style-type: none">1. Press and hold the both buttons  and  on the dust collector simultaneously for 5 seconds: The dust collector enters into pairing mode, the three indicators on the dust collector flash green.2. Press and hold the button  for 5 seconds on the robot: The robot enters pairing mode, the indicators of the robot flash green.3. Place the robot at the dust collector to charge, and wait till the voice prompt indicates that the pairing is successful.

Produktbeschreibung

Saugroboter



EN

DE

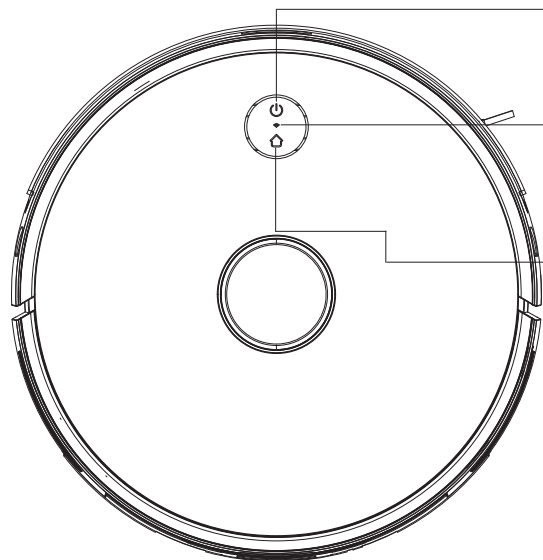
FR

IT

ES

JP

Steuerung



Start/Pause-Taste

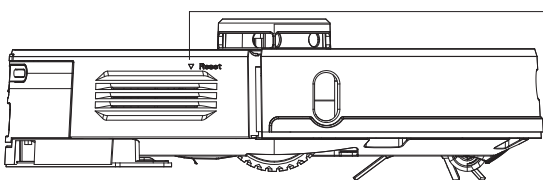
- Langes Drücken: Einschalten / Ausschalten.
- Kurzes Drücken: Reinigung starten / anhalten.

WiFi-Anzeige



- Anzeige blinkt weiss: Das Netzwerk stellt eine Verbindung her (Start Netzwerkkonfiguration).
- Anzeige leuchtet weiss: Das Netzwerk ist verbunden.

Home-Taste

- Kurzes Drücken: Aufladen starten/anhalten
- Blaues Licht: Normaler Betrieb / Pause / Standby
- Blaues Licht blinkt: Gerät schaltet ein / Firmware-Aktualisierung läuft
- Gelbes Licht leuchtet: Akku schwach / Aufladen
- Grünes Licht blinkt: Wird geladen
- Grünes Licht leuchtet: Vollständig aufgeladen
- Rotes Licht blinkt: Ausnahme / Fehler
- Aus: Ausgeschaltet / im Ruhezustand




Netzwerkkonfiguration

- Halten Sie bei eingeschaltetem Gerät die Tasten  und  gleichzeitig 5 Sekunden lang gedrückt.

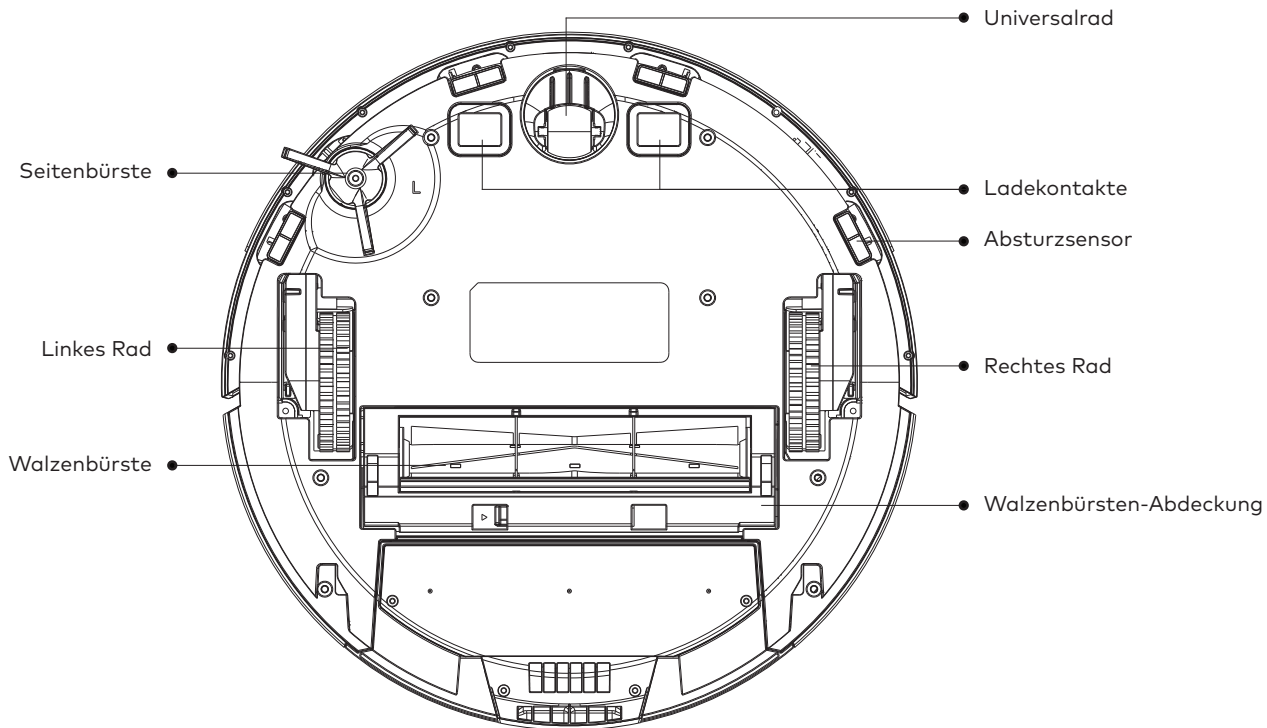
Herunterfahren erzwingen

- Zum Ausschalten kurz drücken.

Kopplungsmodus (mit Absaugstation)

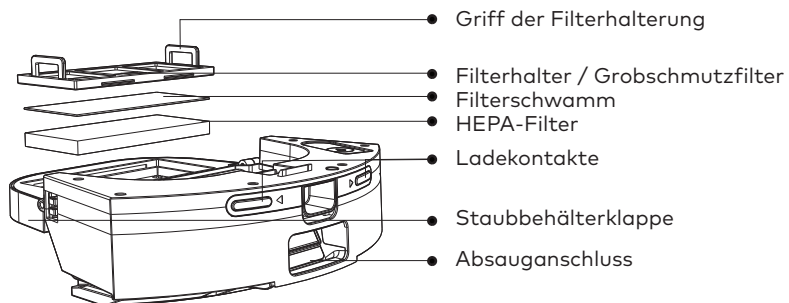
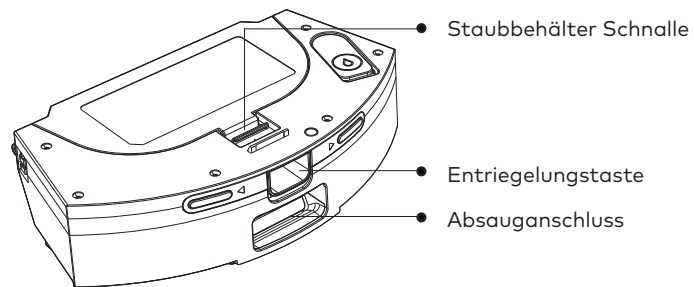
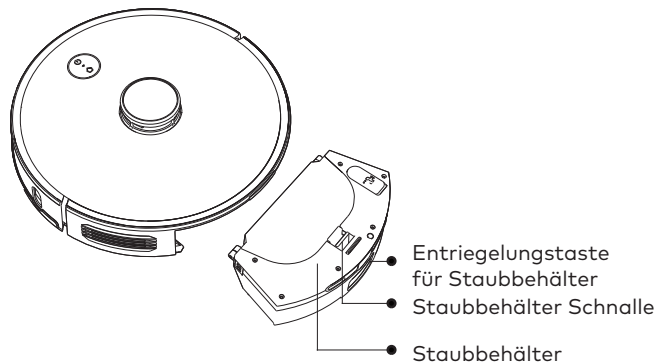
- Halten Sie beim Einschalten die Taste  5 Sekunden lang gedrückt.

Sensoren

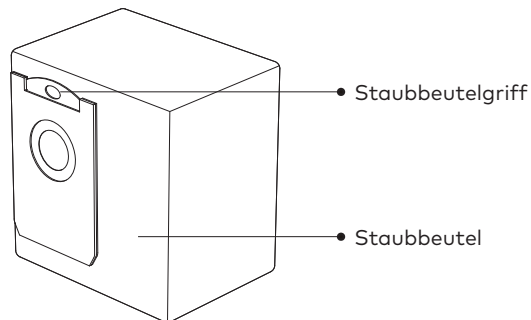
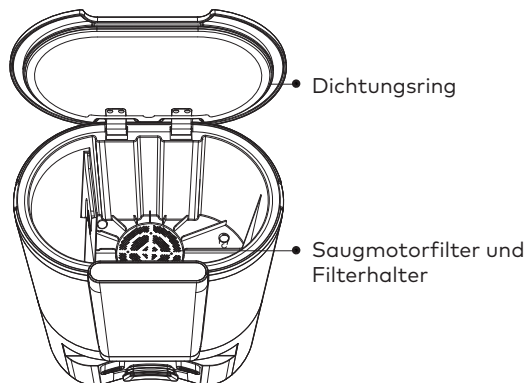
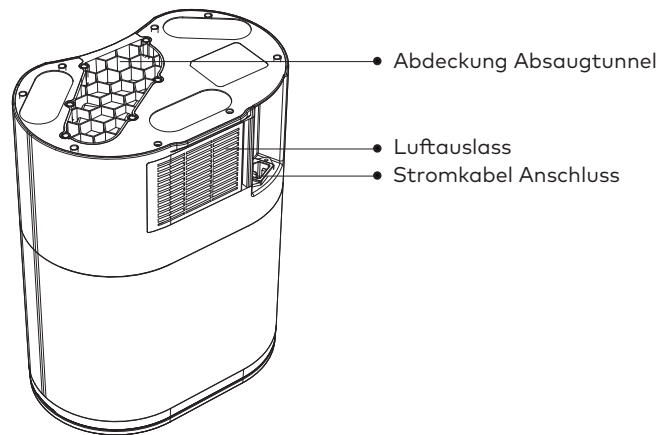
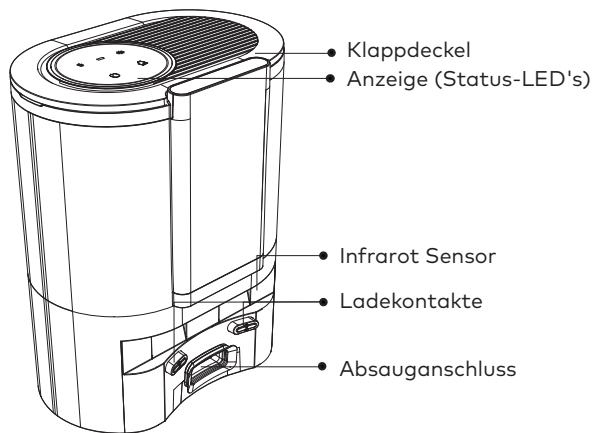


- EN
- DE
- FR
- IT
- ES
- JP

Staubbehälter



Absaugstation



EN

DE

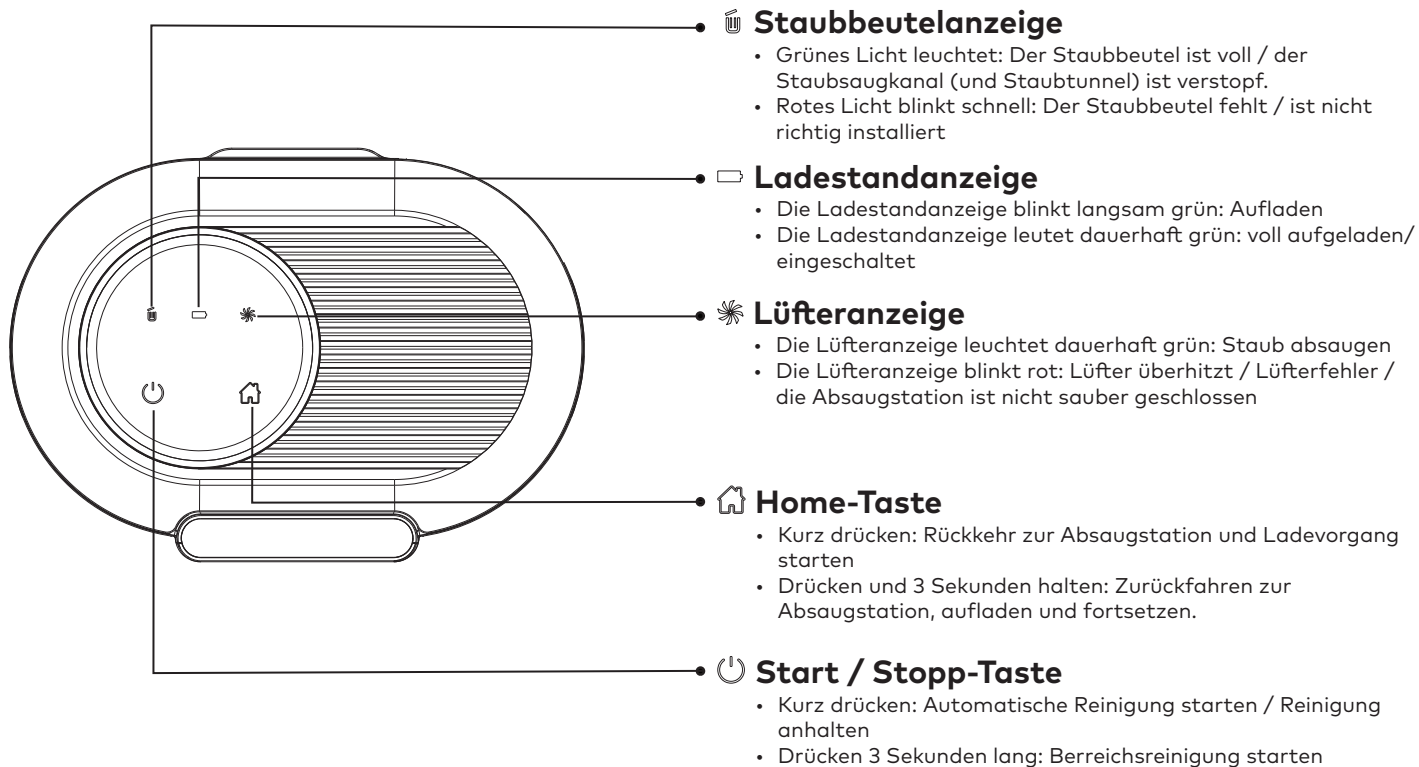
FR

IT

ES

JP

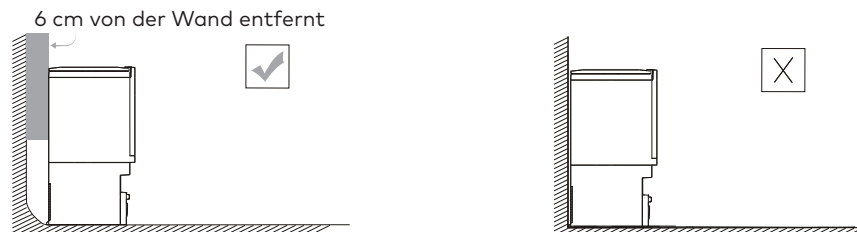
Steuerung Absaugstation



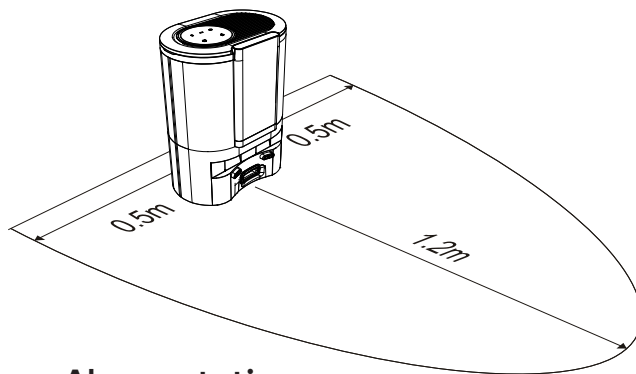
Installationshinweise

Die Absaugstation installieren

1. Die Absaugstation sollte mehr als 6 cm von der Wand entfernt auf ebenem Boden aufgestellt werden.



2. Stellen Sie sicher, dass an der Vorderseite ein Abstand von mehr als 1.2 m und an den beiden Seiten der Absaugstation ein Abstand von mehr als 0.5 m vorhanden ist.



Information zur Absaugstation

Die Absaugstation ist dafür ausgelegt, den Staub aus dem Saugroboter abzusaugen und ihn aufzuladen. Der Saugroboter fährt automatisch zur Absaugstation zurück, um den Schmutz und Staub abzusaugen zu lassen. Ist der Akku des Roboters leer, fährt er ebenfalls selbstständig zur Absaugstation zurück und lädt sich auf. Wenn ein Staubbeutel einmal mit Staub und Schmutz gefüllt ist, sollte er durch einen neuen ersetzt werden, um die Filterwirkung beizubehalten.

EN

DE

FR

IT



ES

JP

Gebrauchsanweisung


Verwendung des Saugroboters

Ein- / Ausschalten

Halten Sie die Taste  gedrückt, um das Gerät einzuschalten. Halten Sie nach dem Aufstarten die Taste  gedrückt, um das System wieder herunterzufahren.

Hinweis: Wenn der Saugroboter an der Absaugstation geladen wird, wird er automatisch eingeschaltet und kann während dem Ladevorgang nicht ausgeschaltet werden.

Reinigen / Pause

Drücken Sie im eingeschalteten Zustand kurz die Taste , um die Reinigung der gesamten erreichbaren Fläche zu starten.

Drücken Sie eine beliebige Taste, um die Reinigung anzuhalten.

Ist der Akku zu schwach, startet die Reinigung nicht. Bitte laden Sie das Gerät erst auf und beginnen Sie dann mit der Reinigung.

Reicht die Ladung des Akkus während des Reinigungsvorgangs nicht aus, fährt der Saugroboter zum Aufladen automatisch zur Absaugstation zurück. Ist der Akku 80% geladen führt er die Reinigung am vorherigen Endpunkt fort.




Hinweis: Es wird empfohlen, dass der Saugroboter mit der Reinigung von der Absaugstation aus beginnt.

Verwendung der Absaugstation

Start / Stopp-Taste

Kurz drücken: Automatische Reinigung starten / Reinigung anhalten
Drücken für 3 Sekunden: Bereichsreinigung starten

Kopplung von Absaugstation und Saugroboter (Ab Werk konfiguriert)

1. Drücken Sie an der Absaugstation 5s auf die Tasten  und : Die Absaugstation wird in den Pairing-Modus versetzt. Die drei Anzeigelampen auf der Absaugstation blinken grün.
2. Drücken Sie die Home-Taste  am Roboter 5 Sekunden lang: Der Roboter wechselt in den Pairing-Modus und die LED's am Roboter blinken grün.
3. Setzen Sie den Saugroboter zum Laden an die Absaugstation. Eine Stimme bestätigt, dass das Pairing erfolgreich ist/war.

Aufladen

Automatisches Laden: Der Saugroboter fährt automatisch zur Absaugstation zurück, um nach Abschluss der Reinigung oder bei unzureichendem Akkuladezustand aufgeladen zu werden.

Manuelles Laden: Drücken Sie die Taste , um den Roboter zur Ladestation zu senden und das Aufladen zu starten. Nach dem Pausieren/Anhalten des Saugroboters können Sie ihn auch händisch/manuell zur Absaugstation bringen, um ihn aufzuladen.

Hinweis: Bitte achten Sie darauf, dass die Ladekontakte guten Kontakt haben und sauber sind.

Ruhezustand / Standby-Modus

Wenn länger als 20 Minuten kein Reinigungszyklus gestartet wird, wechselt der Saugroboter automatisch in den Ruhezustand.

Hinweis: Der Saugroboter wechselt beim Laden nicht in den Ruhezustand.

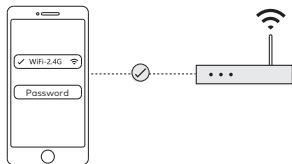
Hinweis: Wenn der Saugroboter pausiert wurde oder selber angehalten hat und er nicht mehr über genügend Akkuladung verfügt, wird er automatisch heruntergefahren.

Home-Taste

Kurz drücken: Rückkehr zur Absaugstation und Aufladung starten.
Drücken und 3 Sekunden halten: Rückkehr zur Absaugstation, aufladen und danach mit der Reinigung fortsetzen.

Roboter mit der Cloud verbinden

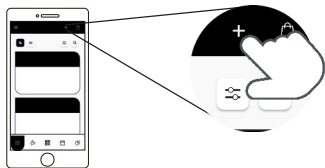
- 1 Verbinden Sie Ihr Mobiltelefon oder Tablet mit dem gewünschten WLAN. (Das WLAN muss die 2,4-GHz-Frequenz unterstützen!)



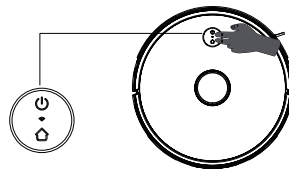
- 2 Scannen Sie einen der QR-Codes unten oder suchen Sie im App-Store Ihres Mobilgeräts nach "FieldBots". Laden Sie sich die Applikation herunter und melden Sie sich mit Ihrem FieldBots-Account an.



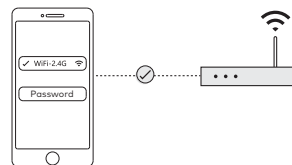
- 3 Klicken Sie oben rechts auf das "Plus (+)" und wählen Sie den Saugroboter "Cleanfix S170 Navi".



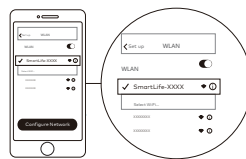
- 4 Drücken und halten Sie die Tasten "Power" und "Home" für 5s gedrückt um die Netzwerkkonfiguration des Saugroboters zu starten.



- 5 Wählen Sie das eben verbundene WLAN des Mobilgeräts und geben Sie das Passwort erneut ein.



- 6 Rufen Sie die WLAN-Einstellungen Ihres Mobilgeräts auf und verbinden Sie sich nun mit dem WLAN "SmartLife-XXXX".



- 7 Kehren Sie zurück zu FieldBots und warten bis die Netzwerkkonfiguration abgeschlossen ist.

EN

DE

FR

IT

ES

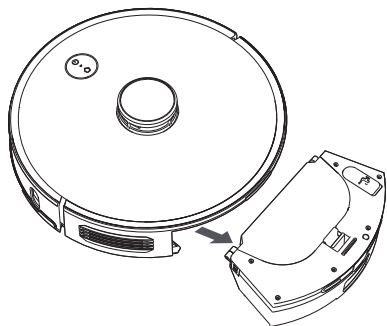
JP

Wartung

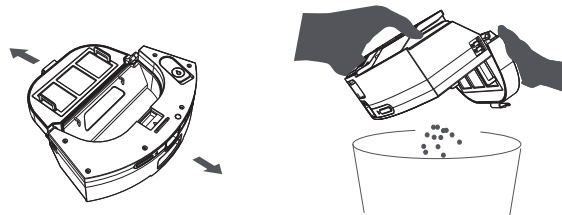
Wöchentliche Wartung

Staubbehälter

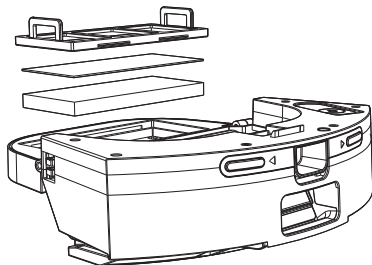
① Drücken Sie die Entriegelungstaste des Staubbehälters und ziehen Sie den Staubbehälter nach hinten heraus.



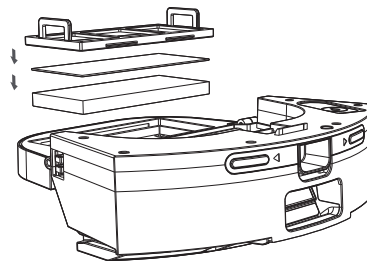
② Öffnen Sie den Staubbehälter und leeren Sie ihn.



③ Entnehmen und reinigen Sie Grobschmutzfilter und Filterschwamm. Spülen Sie Grobschmutzfilter und Staubbehälter mit Wasser und trocknen Sie sie. Falls stark verschmutzt, ersetzen Sie den HEPA-Filter.



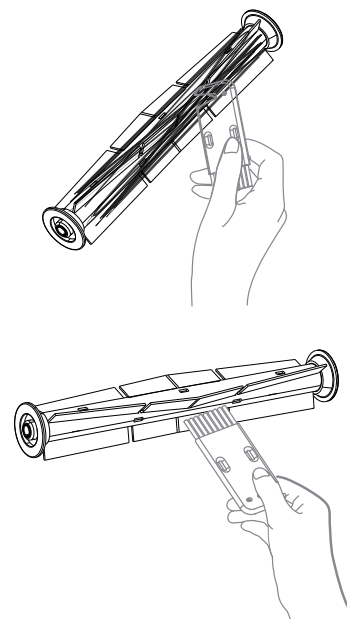
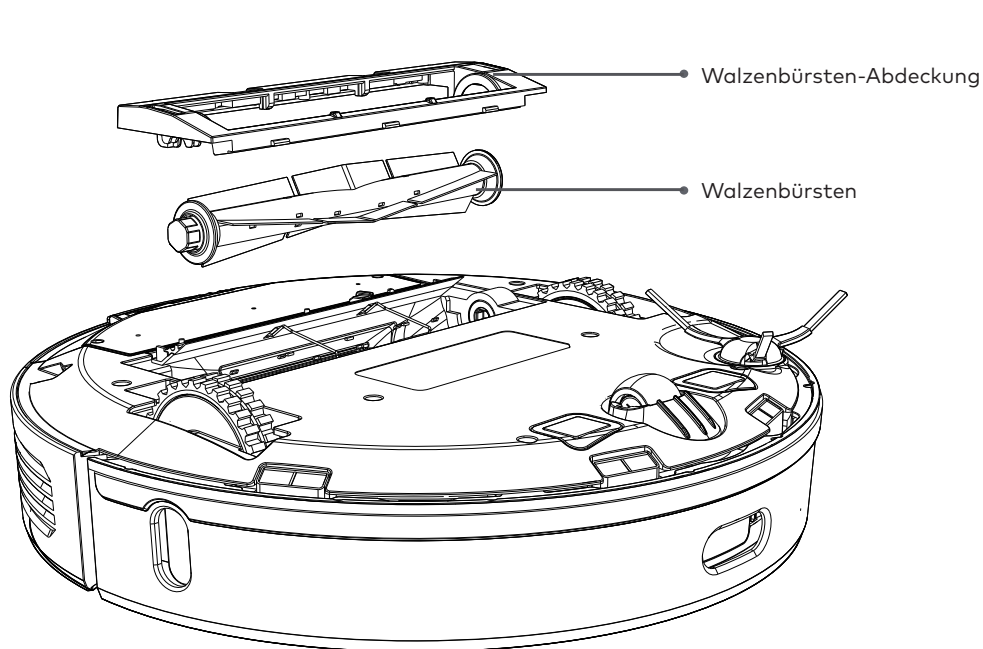
④ Nachdem Filter und Staubbehälter vollständig getrocknet sind, setzen Sie alles wieder zusammen.



Walzenbürste

- ① Drehen Sie den Saugroboter um, drücken Sie den linken und rechten Halteclip und entfernen Sie die Walzenbürsten-Abdeckung.
- ② Entfernen Sie die Walzenbürste und befreien Sie sie von verwickelten Haare und anderem Dreck. Benutzen Sie dafür die Reinigungsbürste.
- ③ Setzen Sie die Walzenbürste wieder ein und befestigen Sie sie mit der Walzenbürsten-Abdeckung. Achten Sie darauf, dass die Abdeckung gut einrastet!

Hinweis: Um beste Reinigungsergebnisse zu erreichen, wird (je nach Anwendung) empfohlen, die Walzenbürste alle 6-12 Monate zu ersetzen.



EN

DE

FR

IT

ES

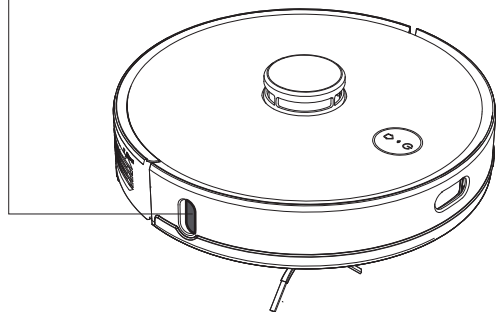
JP

Sensoren

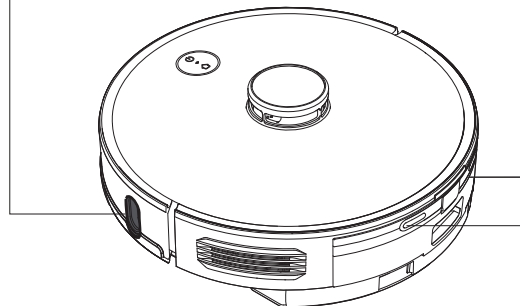
Reinigen Sie die folgenden Sensoren am Saugroboter mit einem weichen, trockenen Tuch:

- ① Die 4 Absturzsensoren an der Unterseite des Saugroboters.
- ② Den Infrarot Abstands-/ Wandsensor auf der rechten Seite des Geräts.
- ③ Den Infrarot Abstandssensor auf der linken Seite des Geräts.
- ④ Die Ladekontakte an der Rückseite des Reinigungsroboters.

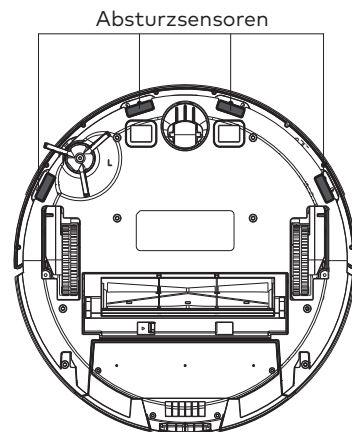
● Infrarot Abstands-/ Wandsensor



● Infrarot Abstandssensor



● Ladekontakte

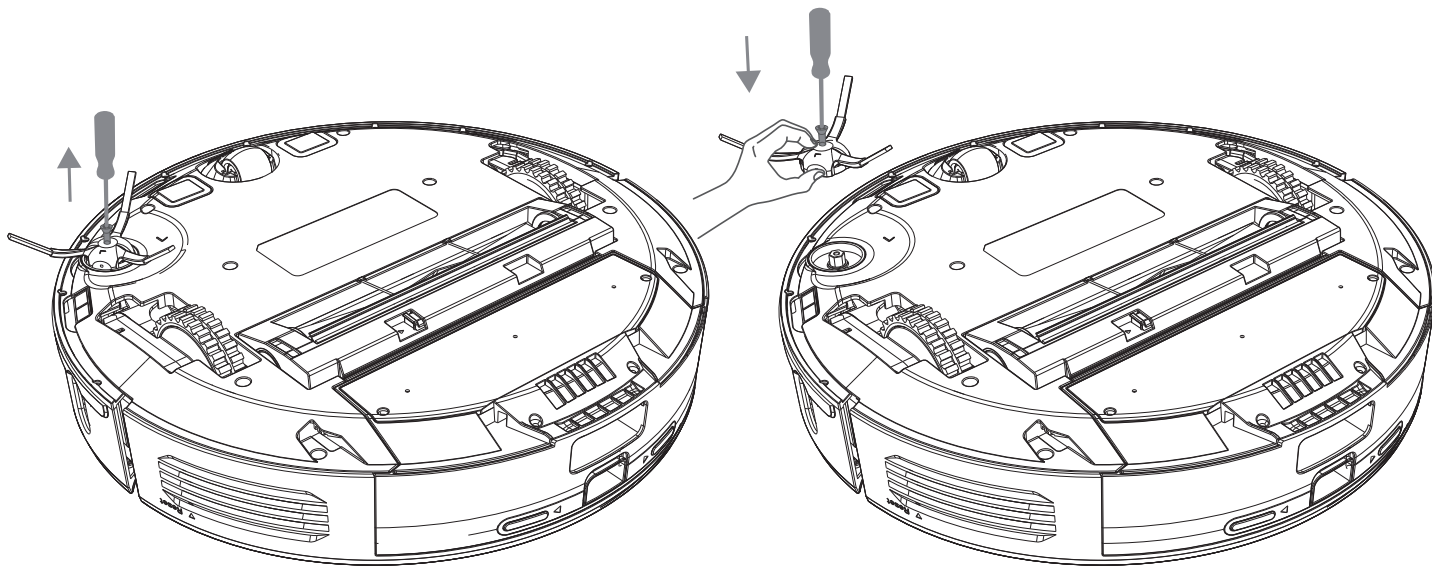


Monatliche Wartung

Seitenbürste

- ① Lösen Sie die Schraube der Seitenbürste mit einem Schraubendreher und demontieren Sie die Seitenbürste.
- ② Reinigen Sie die Seitenbürste und entfernen Sie verwickelte Haare oder anderen Dreck.

Hinweis: Um bestmögliche Reinigungsergebnisse zu erreichen, wird empfohlen, die Seitenbürste alle 3-6 Monate zu ersetzen.



EN

DE

FR

IT

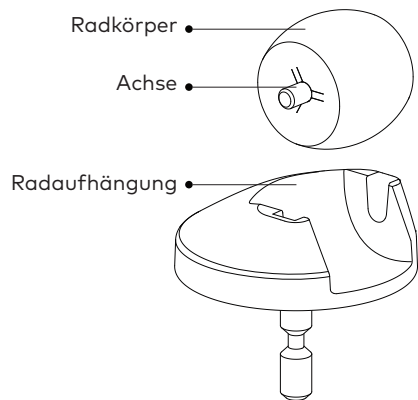
ES

JP

Universalrad

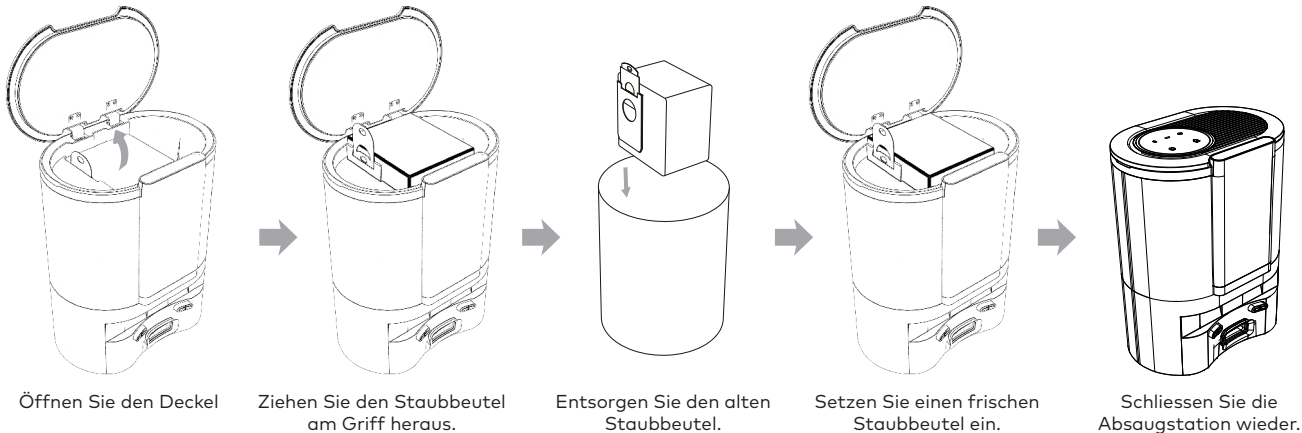
- ① Drehen Sie das Gerät um und ziehen Sie das Universalrad nach oben heraus.
- ② Entfernen Sie Haare und Schmutz vom Rad, der Achse und der Radaufhängung.
- ③ Setzen Sie das Universalrad wieder ein und drücken Sie es fest.

Hinweis: Mit Wasser waschen, trocknen und wieder einsetzen.




Staubbeutel

Wenn der Staubbeutel voll ist, leuchtet die Anzeige  auf der Absaugstation dauerhaft grün. Bitte ersetzen Sie dann den vollen Staubbeutel! Es ist empfehlenswert, den Staubbeutel alle 6-8 Wochen zu ersetzen.

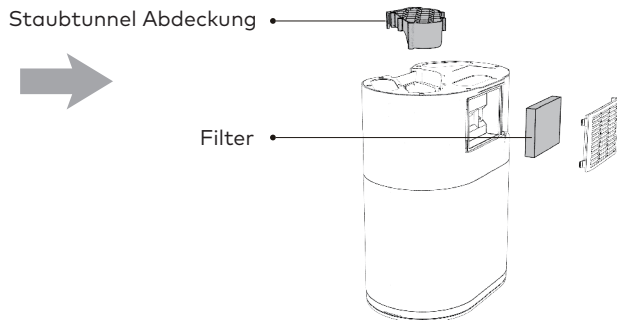


Hinweis: Der Griff am Staubbeutel dient als Verschluss. Beim hochziehen verschliesst sich dieser selbstständig.

Reinigen der Absaugeinheit

- ① Wenn die Staubbeutel-Kontrollleuchte  durchgehend grün leuchtet, der Staubbeutel aber nicht voll ist, ziehen Sie den Netzstecker der Absaugstation und drehen Sie diese um. Öffnen Sie die Abdeckung des Staubtunnels durch Lösen der Schrauben* und befreien diesen von Dreck und Fremdkörpern.
- ② Öffnen Sie den Luftauslass an der Rückseite der Absaugstation und reinigen Sie den Filter.

*** Entfernen Sie die Schrauben nicht mit Gewalt, sondern sorgfältig mit einem Schraubenzieher. Bauen Sie nach jeder Demontage wieder alles entsprechend der ursprünglichen Konstruktion zusammen.**



EN

DE

FR

IT

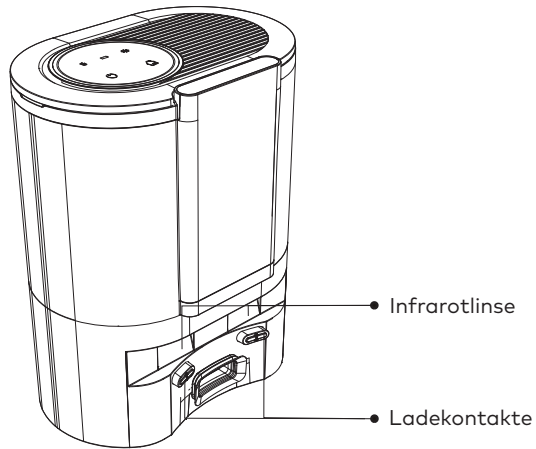
ES

JP

Reinigung der Infrarotlinse und der Ladekontakte der Absaugstation

Überprüfen Sie Infrarotlinse und Ladekontakte der Absaugstation auf Verschmutzung und reinigen Sie sie mit einem sauberen und trockenen Tuch.

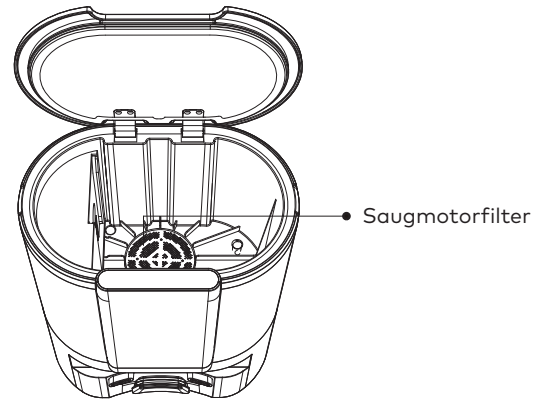
Hinweis: Es wird empfohlen, sie mindestens einmal im Monat zu reinigen.



Reinigung des Saugmotorfilters

Prüfen Sie, ob sich am Filterhalter des Saugmotors Schmutz angesammelt hat. Sollte dies der Fall sein, nehmen Sie den Filter ab und reinigen Sie ihn mit der Reinigungsbürste oder einem trockenen Tuch.

Hinweis: Es wird empfohlen, ihn mindestens einmal im Monat zu reinigen.



Technische Daten

Saugroboter

Beschreibung	Wert
Abmessungen	φ350mm x φ350mm x 98mm
Gewicht	≈3.6kg
Nennspannung	14.4V ---
Nennleistung	50W
Kapazität der Batterie	5200mAh

FCC-Erklärung

1. Dieses Gerät erfüllt die Anforderungen von Teil 15 der FCC-Bestimmungen. Der Betrieb unterliegt den folgenden zwei Bedingungen:
 - (1) Das Gerät darf keine schädlichen Funkwellen verursachen und
 - (2) muss alle empfangenen Funkwellen aushalten, einschliesslich der Funkwellen, die einen ungewünschten Betrieb verursachen könnten.
2. Änderungen oder Modifikationen, die nicht ausdrücklich von der für die Konformität verantwortlichen Partei genehmigt wurden, können dazu führen, dass der Benutzer die Berechtigung zum Betrieb des Geräts verliert.

HINWEIS:

Dieses Gerät wurde getestet und entspricht den Grenzwerten für ein digitales Gerät der Klasse B gemäss Teil 15 der FCC-Vorschriften. Diese Grenzwerte sind so ausgelegt, dass sie einen angemessenen Schutz gegen schädliche Störungen bei der Installation in Wohngebieten bieten. Dieses Gerät erzeugt und verwendet Funkfrequenzenergie und kann diese ausstrahlen. Wenn es nicht gemäss den Anweisungen installiert und verwendet wird, kann es andere Funkgeräte stören. Es kann jedoch nicht garantiert werden, dass auch bei einer konkreten Installation keine Störungen auftreten können. Sollten Störungen des Radio- oder Fernsehempfangs bemerkbar sein, was durch Ein- und Ausschalten des Geräts festgestellt werden kann, sollte der Benutzer versuchen, die Störungen durch eine oder mehrere der folgenden Massnahmen zu beheben:

- Richten Sie die Empfangsantenne neu aus oder stellen Sie sie anders auf.
- Vergrössern Sie den Abstand zwischen dem Gerät und dem Empfänger.
- Schließen Sie das Gerät an eine Steckdose an, die nicht mit dem Stromkreis des Empfängers verbunden ist.
- Wenden Sie sich an den Händler oder einen erfahrenen Radio-/Fernsehtechniker, um Hilfe zu erhalten.

FCC-Erklärung zur Strahlenbelastung

Dieses Gerät entspricht den FCC-Grenzwerten für Strahlenbelastung, die für eine unkontrollierte Umgebung festgelegt wurden. Dieses Gerät sollte mit einem Mindestabstand von 20 cm zwischen dem Sender und Ihrem Körper installiert und betrieben werden.

Absaugstation

Beschreibung	Wert
Abmessungen	282mm x 361mm x 202mm
Nennleistung	1050W
Eingangsleistung	100-240V ~50/60Hz
Ausgangsleistung	DC24V---1.2A

EN

DE

FR

IT

ES

JP

Häufige Probleme

Problembeschreibung	Lösung
Aufstarten nicht möglich	<ul style="list-style-type: none"> • Der Akku ist zu schwach. Stellen Sie den Roboter manuell zurück und laden Sie ihn, bevor Sie ihn benutzen. • Die Umgebungstemperatur ist zu niedrig (weniger als 0° C) oder zu hoch (mehr als 40° C).
Reinigung kann nicht gestartet werden	<ul style="list-style-type: none"> • Der Ladezustand des Akkus ist zu niedrig. Stellen Sie den Roboter zurück zur Ladestation und laden Sie ihn einmal komplett auf.
Aufladen nicht möglich	<ul style="list-style-type: none"> • Zu viele Hindernisse in der Nähe der Absaugstation. Bitte platzieren Sie sie auf einer freien Fläche. • Der Roboter ist zu weit von der Absaugstation entfernt. Platzieren Sie ihn in der Nähe der Absaugstation.
Ungewöhnliches Verhalten	<ul style="list-style-type: none"> • Roboter herunterfahren und neustarten
Während der Reinigung ist ein ungewöhnliches Geräusch zu hören	<ul style="list-style-type: none"> • Die Walzenbürste, die Seitenbürste oder das linke/rechte Rad sind mit Fremdkörpern umwickelt, bitte schalten sie den Roboter aus und reinigen Sie die betroffenen Komponenten.
Nachlassende Reinigungsleistung	<ul style="list-style-type: none"> • Der Staubbehälter ist voll, bitte leeren Sie ihn. • Der HEPA-Filter ist verstopft, bitte reinigen oder ersetzen Sie ihn. • Die Walzenbürste ist von Fremdkörpern umwickelt, bitte reinigen Sie sie.
Wi-Fi-Verbindung kann nicht hergestellt werden	<ul style="list-style-type: none"> • Das Wi-Fi-Signal ist möglicherweise nicht ausreichend. Stellen Sie sicher, dass sich das Gerät in einer Umgebung mit optimaler Wi-Fi-Signalabdeckung befindet. • Die Wi-Fi-Verbindung ist möglicherweise gestört. Setzen Sie die Netzwerkkonfiguration des Roboters zurück, laden Sie die neueste App herunter und versuchen Sie es erneut.
Reinigung pausiert / wird nicht weitergeführt	<ul style="list-style-type: none"> • Vergewissern Sie sich, dass sich das Gerät nicht im "Bitte nicht stören"-Modus befindet. Die Reinigung kann in diesem Modus nicht mehr fortgesetzt werden. • Wenn Sie den Roboter manuell aufladen oder wieder zur Absaugstation bringen kann er die Reinigung nicht mehr am vorherigen Ort fortsetzen.
Keine Rückkehr zur Absaugstation nach einer Punktreinigung oder einer Positionsveränderung	<ul style="list-style-type: none"> • Nach einer punktuellen Reinigung oder grösseren Veränderung der Position regeneriert das Gerät die Karte. • Wenn die Absaugstation zu weit entfernt ist, kann er diese möglicherweise nicht mehr automatisch finden. Bitte bringen Sie den Roboter manuell zur Ladestation / Absaugstation zurück.
Kann nicht geladen werden	<ul style="list-style-type: none"> • Vergewissern Sie sich, dass um die Absaugstation genügend Platz frei ist und die Ladekontakte nicht verschmutzt sind.
Die planmässige Reinigung funktioniert nicht	<ul style="list-style-type: none"> • Stellen Sie sicher, dass das Gerät mit einem Netzwerk verbunden ist. • Ist dies nicht der Fall, können Sie die geplante Reinigungsaufgabe nicht synchronisieren.
Die Maschine ist immer offline	<ul style="list-style-type: none"> • Vergewissern Sie sich, dass das Gerät erfolgreich mit einem Netzwerk verbunden ist und sich immer innerhalb der Wi-Fi-Abdeckung befindet.
Das Mobiltelefon kann die Geräte nicht koppeln.	<ul style="list-style-type: none"> • Vergewissern Sie sich, dass sich die Absaugstation und der Roboter innerhalb der selben Wi-Fi-Abdeckung befinden und das Signal optimal ist. Befolgen Sie die Anweisungen zum Zurücksetzen des WLANs und koppeln Sie es dann erneut.

Fehlermeldungen

Saugroboter

Fehlermeldung	Lösung
Abnormal 1: Der LiDAR-Sensor ist blockiert oder gestört.	Bitte überprüfen Sie den LiDAR-Sensor auf Schmutz oder Fremdkörper und entfernen diese. Bringen Sie den Roboter an einen anderen Ort und starten Sie ihn erneut.
Abnormal 2: Die Absturzsensoren sind verschmutzt.	Reinigen Sie die Absturzsensoren und platzieren Sie den Roboter an einem neuen Ort (die Position der Sensoren finden Sie in der Bedienungsanleitung).
Abnormal 3: Es wurde ein zu starkes Magnetfeld erkannt.	Bitte stellen Sie das Gerät an einen anderen Ort und versuchen Sie es erneut.
Abnormal 4: Bitte überprüfen Sie das Frontschild (Frontbumper) und beseitigen Sie jegliche Fremdkörper.	Entfernen Sie jegliche Fremdkörper welche das Frontschild (den Frontbumper) stören. Das Schild muss mit wenig Kraft drückbar sein.
Abnormal 5: Die Gerätetemperatur ist nicht normal.	Die Temperatur des Geräts ist zu hoch oder zu niedrig. Bitte warten Sie, bis sich die Temperatur wieder normalisiert hat, bevor Sie die Reinigung erneut beginnen.
Abnormal 6: Der Ladevorgang ist gestört.	Prüfen Sie, ob das Original-Netzteil verwendet wird und dieses richtig eingesteckt ist. Stellen Sie sicher, dass die Absaugstation auf einer waagerechten und ebenen Fläche steht. Reinigen Sie die Ladekontakte.

EN

DE

FR







IT

ES

JP

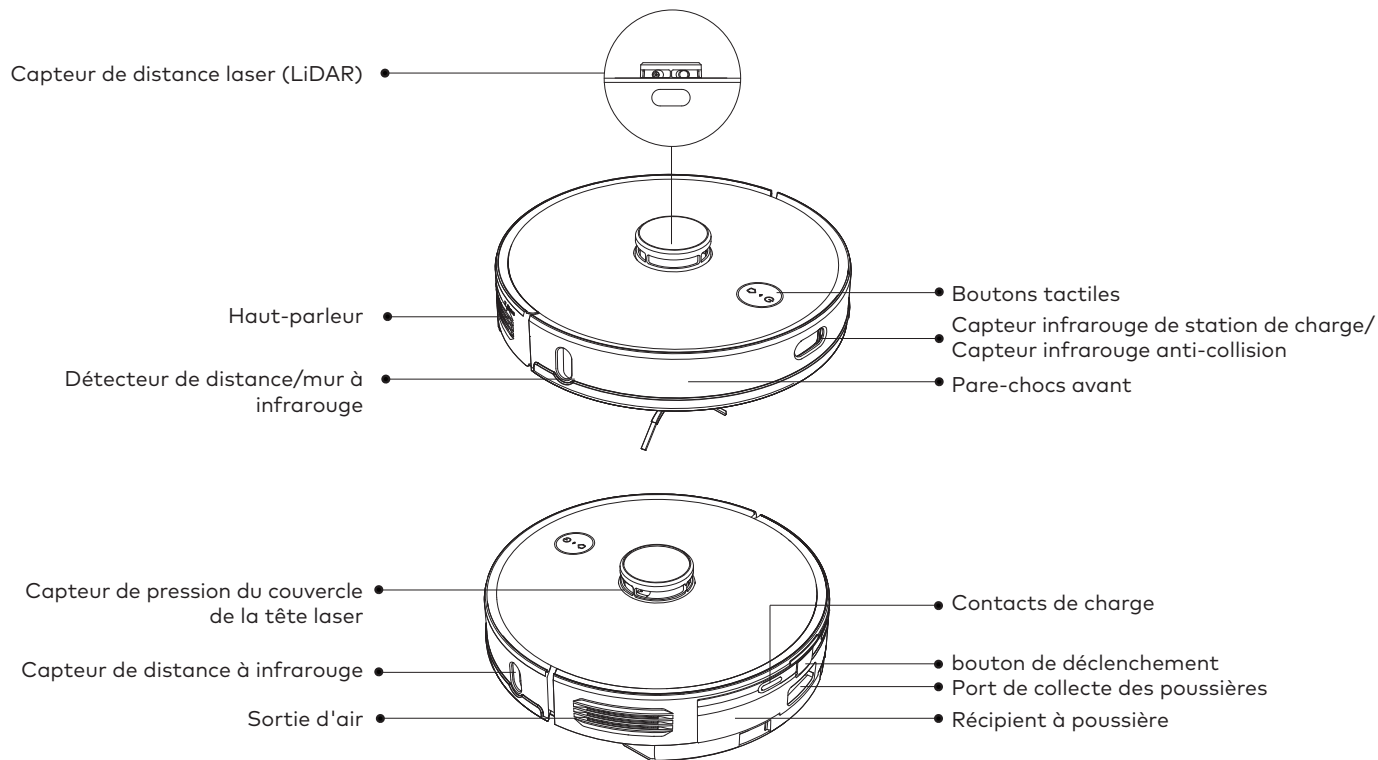
Absaugstation

Die Absaugstation zeigt den aktuellen Status über die Status-LED's oben auf dem Deckel an:

Fehlermeldung	Fehlerbeschreibung	Lösung
 Blinkt rot	Saugmotorfehler / Überhitzung / Abdeckung der Absaugstation ist nicht richtig geschlossen	<ol style="list-style-type: none">1. Häufiges Absaugen kann dazu führen, dass der Überhitzungsschutz der Absaugstation auslöst. Lassen Sie den Saugmotor abkühlen und versuchen sie es nach circa 30 Minuten erneut.2. Vergewissern Sie sich, dass die Abdeckung der Absaugstation vollständig geschlossen ist und gut abdichtet. Stellen Sie zudem sicher, dass der Saugroboter zum Aufladen an der Absaugstation platziert ist und sich die Ladekontakte berühren.
 Blinkt rot	Der Staubbeutel ist nicht installiert / nicht richtig installiert	<ol style="list-style-type: none">1. Prüfen Sie, ob ein Staubbeutel installiert ist. Wenn nicht, setzen Sie einen neuen Staubbeutel ein.2. Prüfen Sie, ob der Staubsaugerbeutel richtig installiert ist und die Sensoren der Staubbeutelhalterung den Beutel erkennen.
 Blinken gleichzeitig	Kopplung fehlgeschlagen / kein Saugroboter verbunden* (*Die Absaugstation ist mit keinem Staubsaugroboter verbunden.)	<ol style="list-style-type: none">1. Drücken und halten Sie die beiden Tasten  und  an der Absaugstation gleichzeitig für 5 Sekunden: Die Absaugstation geht in den Kopplungsmodus über, die drei Status-LED's blinken grün.2. Drücken und halten Sie die Taste  am Roboter für 5 Sekunden: Der Roboter geht in den Kopplungsmodus, die 2 Status-LED's blinken grün.3. Stellen Sie nun den Roboter zum Aufladen an die Absaugstation und warten Sie auf die Sprachansage welche die erfolgreiche Kopplung bestätigt.

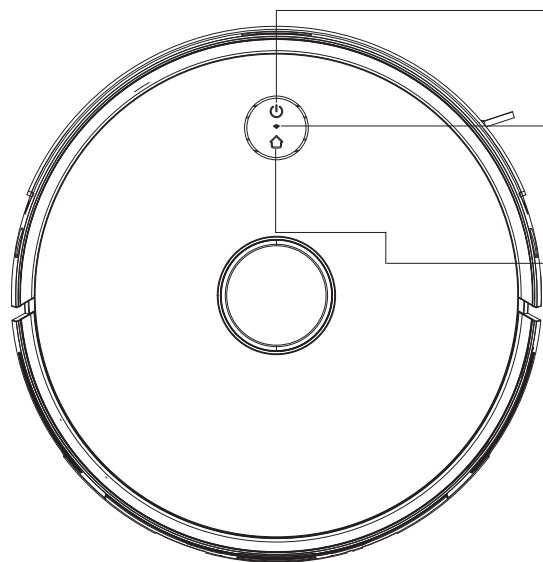
Description du produit

Aspirateur robot



- EN
- DE
- FR**
- IT
- ES
- JP

Contrôles



Bouton Start/Stop

- Appui long pour allumer/éteindre
- Appui court pour démarrer/pause le nettoyage



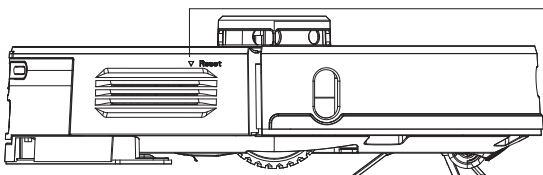
Indicateur WiFi

- Lumière blanche clignotante: Configuration du réseau
- Lumière blanche fixe: Le réseau est connecté





Bouton d'accueil

- Appui court pour démarrer/pause la recharge
- Lumière bleue fixe: Fonctionnement normal/pause/veille
- Lumière bleue clignotante: mise sous tension/mise à niveau du micrologiciel.
- Lumière jaune clignotante: Batterie faible/retour à la maison
- Lumière verte clignotante: Chargement
- Lumière verte fixe: Pleine charge
- Lumière rouge clignotante: Anormal/Erreur
- Lumières éteintes: Appareil éteint/en veille




Network configuration

- Lorsque l'appareil est sous tension, appuyez sur les boutons et maintenez-les enfoncés  et  simultanément pendant 5 secondes.

Bouton d'arrêt forcé

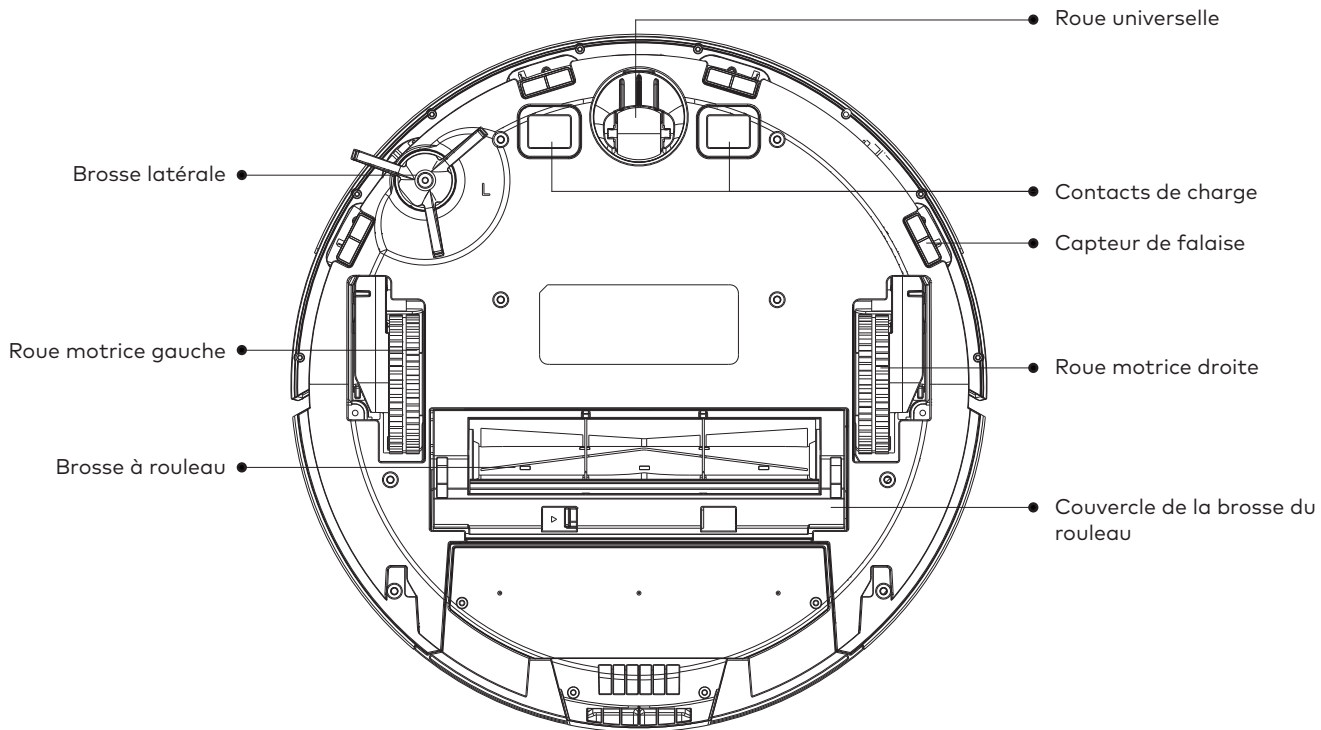
- Short press to turn off

Mode de jumelage (avec dépoussiéreur)

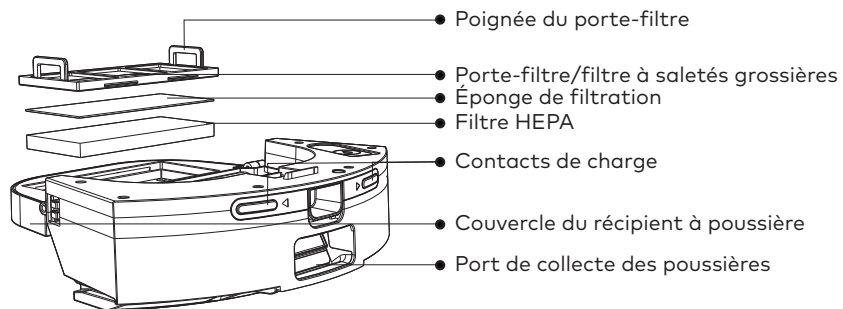
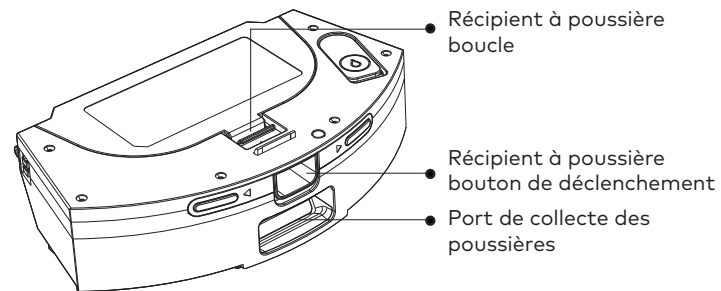
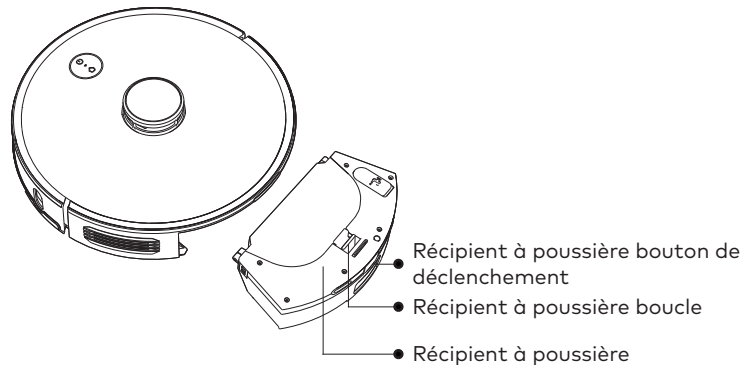
- Appuyez et maintenez le bouton d'accueil  pendant 5 secondes pendant le processus de mise sous tension.

Capteurs

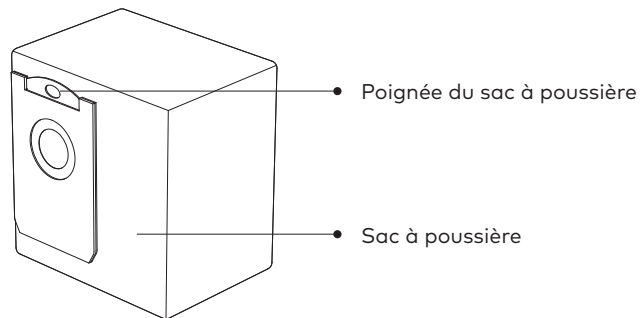
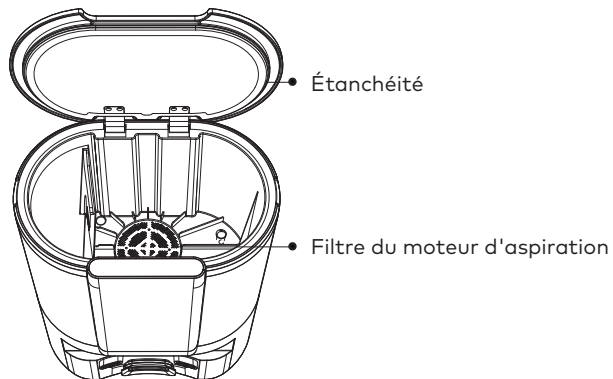
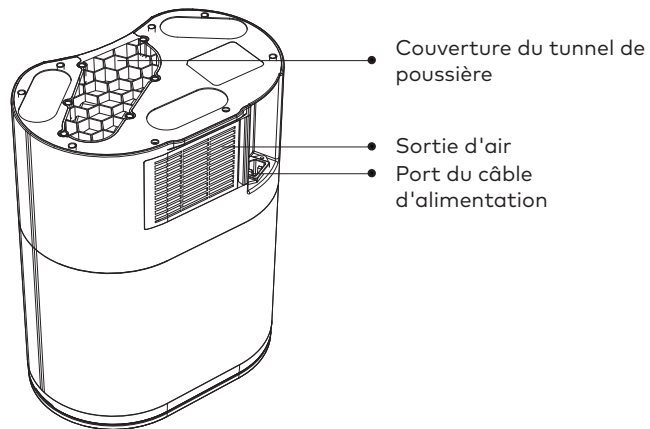
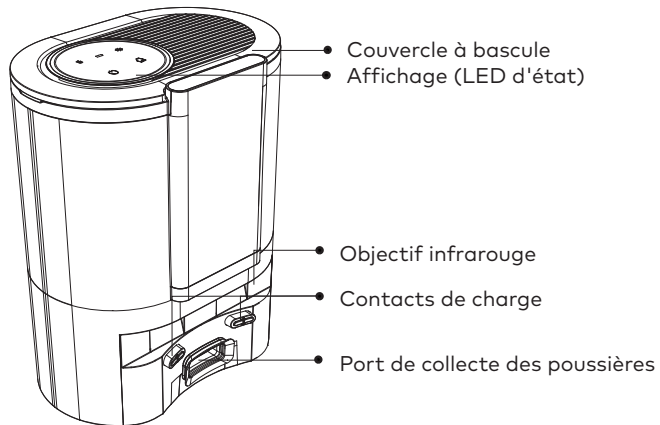
- EN
- DE
- FR
- IT
- ES
- JP



Réceptacle à poussière



Station d'aspiration



EN

DE

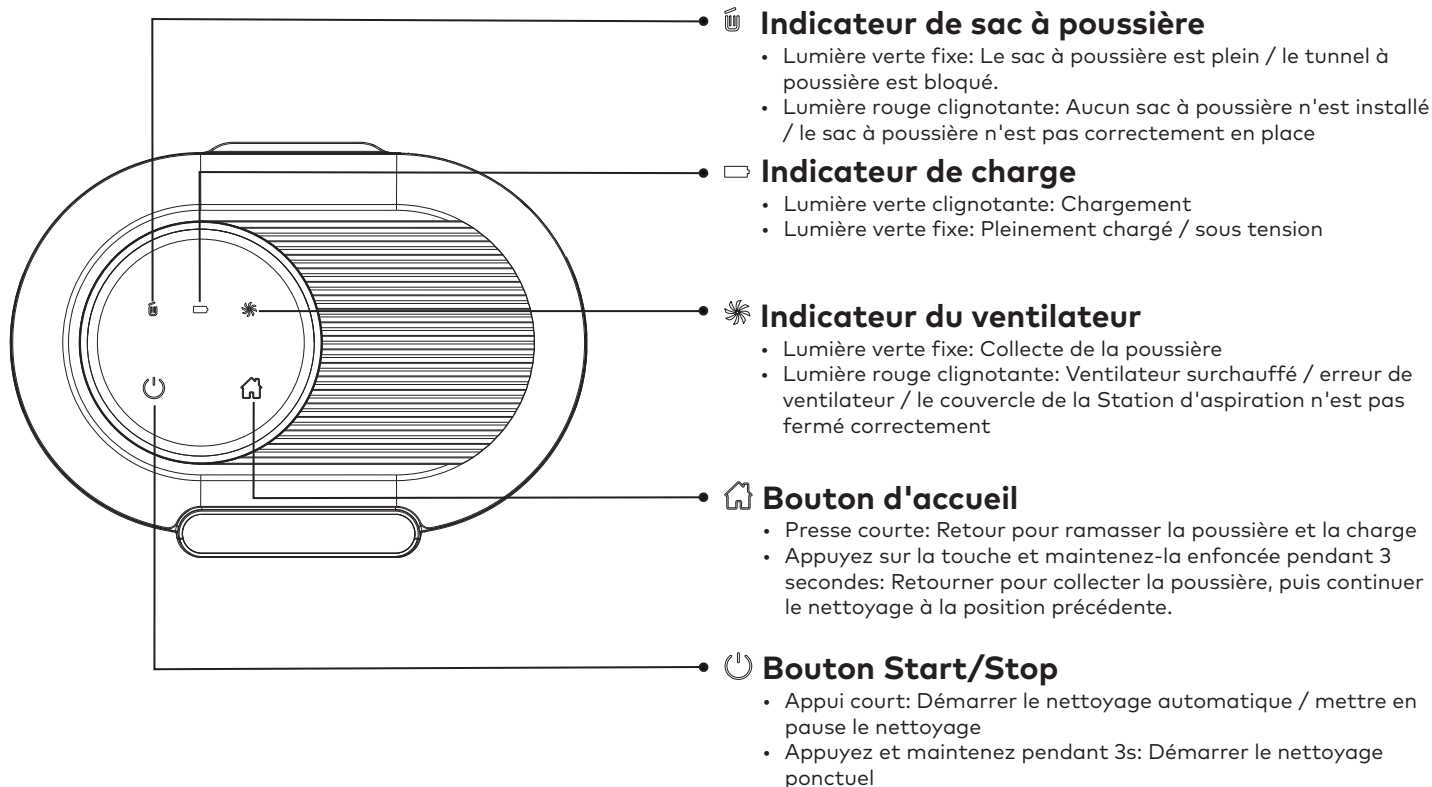
FR

IT

ES

JP

Station d'aspiration contrôles et indicateurs



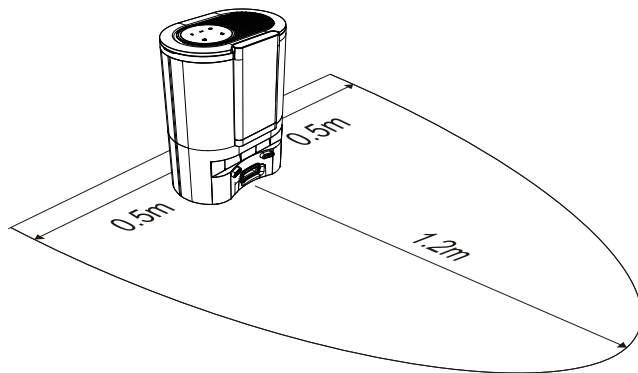
Instructions d'installation

Installer la station d'aspiration

1. La station d'aspiration doit être placée sur une surface plane à plus de 6 cm du mur.



2. Veillez à ce qu'il y ait un espace de plus de 1,2 m à l'avant, et de plus de 0,5 m des deux côtés de la Station d'aspiration.



À propos de la station d'aspiration

L'unité station d'aspiration est conçue pour collecter la poussière et recharger le robot aspirateur. Lorsque le nettoyage est terminé, le robot retourne automatiquement à la station d'aspiration, qui collecte toutes les saletés et les poussières et le recharge automatiquement. Lorsqu'un sac à poussière est rempli de poussières et de saletés, il doit être remplacé par un nouveau sac pour maintenir l'effet filtrant.

EN

DE

FR

IT



ES

JP

Instructions d'utilisation


Robot aspirateur

Mise en marche/arrêt

Appuyez et maintenez le bouton , pour mettre le robot sous tension. Après le démarrage, appuyez et maintenez la touche , pour arrêter le système.

Note: Lors de la recharge à la Station d'aspiration, l'aspirateur robot est automatiquement mis en marche et ne peut pas passer en mode veille pendant toute la durée de la recharge.

Nettoyage/Pause

Lorsqu'il est allumé, appuyez brièvement sur le bouton , pour commencer à nettoyer toute la zone accessible.

Appuyez sur n'importe quel bouton du robot pour arrêter le nettoyage.

Si la batterie est trop faible, le nettoyage ne pourra pas commencer. Veuillez d'abord charger l'appareil, puis recommencer le nettoyage.

Si la charge de la batterie n'est pas suffisante pendant le processus de nettoyage, l'aspirateur robot retourne automatiquement à la station d'aspiration pour se recharger. Dès que la batterie atteint 80 %, le robot poursuit le nettoyage à partir de la position précédente.




Note: Il est recommandé que l'aspirateur robot commence à nettoyer à partir de la station d'aspiration.

Station d'aspiration

Bouton Start/Stop


Appui court: Démarrer le nettoyage / Arrêter le nettoyage
Appuyez pendant 3 secondes: Démarrer le nettoyage par points

Paire Station d'aspiration et robot (appariés dans les paramètres d'usine par défaut)

1. Sur la station d'aspiration, appuyez sur les boutons  et  pendant 5 secondes: La station d'aspiration passe en mode appairage. Les trois voyants d'état situés sur le dessus clignotent en vert.
2. Sur l'aspirateur robot, appuyez sur le bouton  pendant 5 secondes: Le robot entre en mode de couplage. Les deux LED d'état situées sur le dessus clignotent en vert.
3. Placez le Robot sur la station d'aspiration pour le charger. Un message vocal confirmera que l'appairage est/était réussi.

Chargement

Chargement automatique: L'aspirateur robot Ccleaner retourne automatiquement à la station d'aspiration pour se recharger, lorsque le nettoyage est terminé ou lorsque la charge de la batterie est insuffisante.

Chargement manuel: Appuyez sur le bouton , pour renvoyer le robot vers la station de charge et commencer la charge. Après avoir mis en pause/arrêté le robot, vous pouvez également le placer manuellement dans la station d'aspiration pour le recharger.

Note: Veuillez vous assurer que les contacts de charge ont un bon contact et sont propres.

Mode veille

Si aucun cycle de nettoyage n'est lancé pendant plus de 20 minutes, l'aspirateur robot passe automatiquement en mode veille.

Note: L'Aspirateur Robot ne passe pas en mode veille pendant la charge.

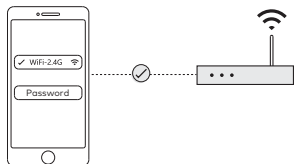
Note: Si l'aspirateur robot a été mis en pause ou s'est arrêté de lui-même et que sa batterie est insuffisante, il s'éteint automatiquement.

Bouton d'accueil

Appui court: Retournez à la station d'aspiration et commencez à charger.
Appuyez et maintenez pendant 3 secondes : Retournez à la Station d'aspiration, chargez et continuez le nettoyage à la position précédente.

Connecter le robot au cloud

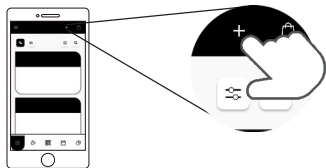
- ① Connectez votre téléphone portable ou votre tablette au WLAN souhaité. (Le WLAN doit supporter la fréquence de 2,4 GHz !)



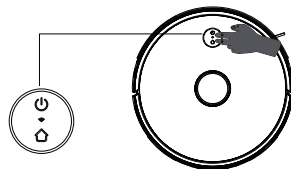
- ② Scannez l'un des codes QR ci-dessous ou recherchez "FieldBots" dans la boutique d'applications de votre appareil mobile. Téléchargez l'application et connectez-vous avec votre compte FieldBots.



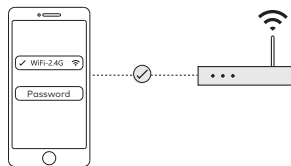
- ③ Cliquez sur le "Plus (+)" dans le coin supérieur droit et sélectionnez l'aspirateur robot "Cleanfix S170 Navi".



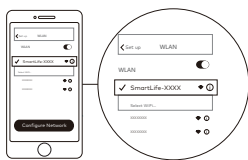
- ④ Appuyez sur les boutons "⏻" et "🏠" pendant 5s pour lancer la configuration réseau de l'aspirateur robot.



- ⑤ Sélectionnez le WLAN récemment connecté de votre appareil mobile et entrez à nouveau le mot de passe.



- ⑥ Ouvrez maintenant les paramètres WLAN de votre appareil mobile et connectez-vous au WLAN "SmartLife-XXXX".



- ⑦ Retournez dans FieldBots et attendez que la configuration du réseau soit terminée.

EN

DE

FR

IT

ES

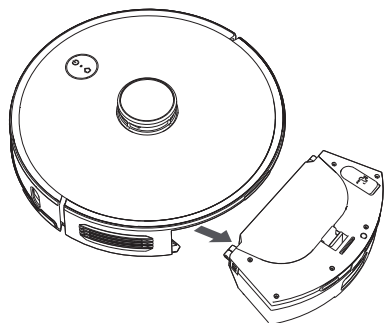
JP

Maintenance

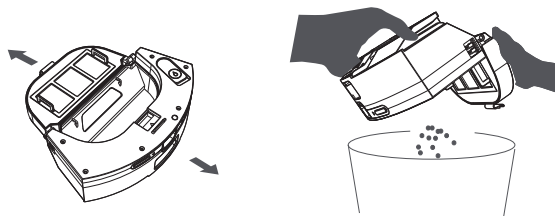
Maintenance hebdomadaire

Réceptier à poussière

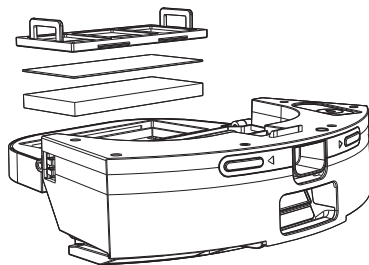
① Appuyez sur le bouton d'ouverture du réceptier à poussière et sortez le réceptier à poussière.



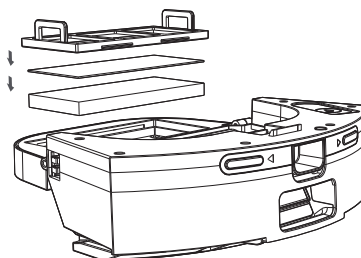
② Ouvrez le réceptier à poussière et le vider.



③ Retirez et nettoyez le filtre à grosses saletés et l'éponge filtrante. Rincez le filtre à grosses saletés et le réceptier à poussière à l'eau et séchez-les. En cas de fort encrassement, remplacez le filtre HEPA.



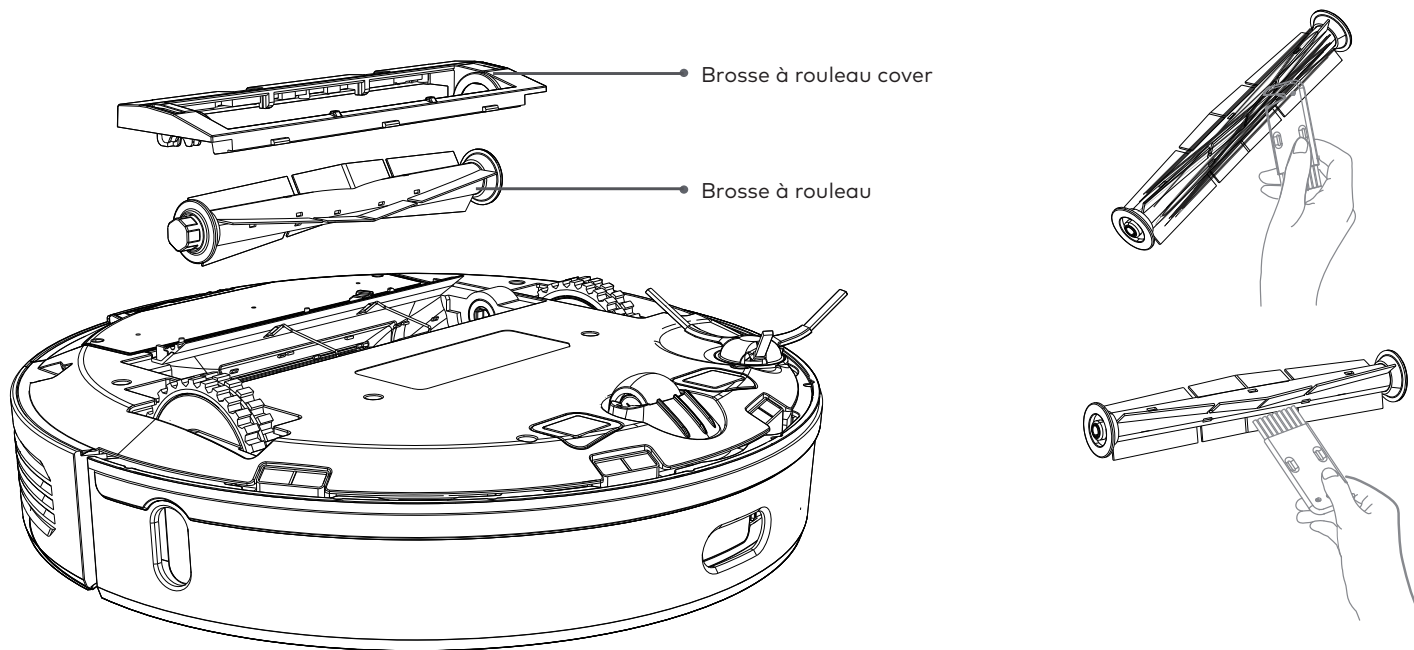
④ Après avoir séché le filtre et le réceptier à poussière, remettez-les ensemble pour la prochaine utilisation.



Brosse à rouleau

- ① Tournez l'aspirateur robot, appuyez sur les clips de maintien gauche et droit et retirez le couvercle de la brosse roulante.
- ② Retirez la Brosse à rouleau et débarrassez-la des cheveux emmêlés et de la saleté/poussière avec la brosse de nettoyage.
- ③ Réinstallez la Brosse à rouleau et fixez-la avec le couvercle de la Brosse à rouleau. Assurez-vous que le couvercle s'enclenche bien!

Note: En fonction de l'utilisation, il est recommandé de remplacer la Brosse à rouleau tous les 6 à 12 mois pour garantir les meilleurs résultats de nettoyage.



EN

DE

FR

IT

ES

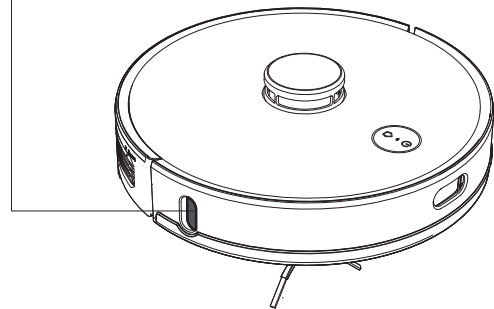
JP

Capteurs

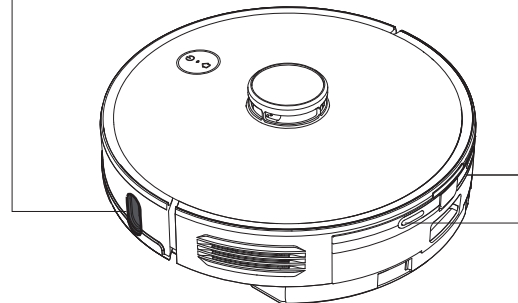
Nettoyez les capteurs suivants de l'aspirateur robot avec un chiffon doux et sec:

- ① Les 4 capteurs de falaise en bas.
- ② Le capteur infrarouge de distance/mur sur le côté droit.
- ③ Le capteur infrarouge de distance sur le côté gauche.
- ④ Les contacts de charge à l'arrière.

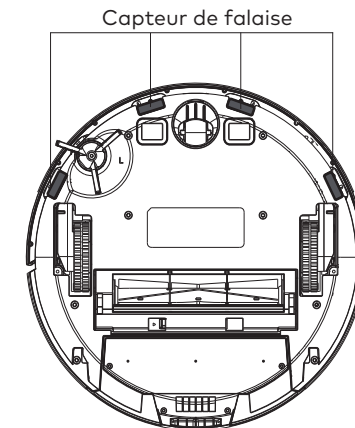
Capteur infrarouge de distance/mur



Capteur infrarouge de distance



Contacts de charge

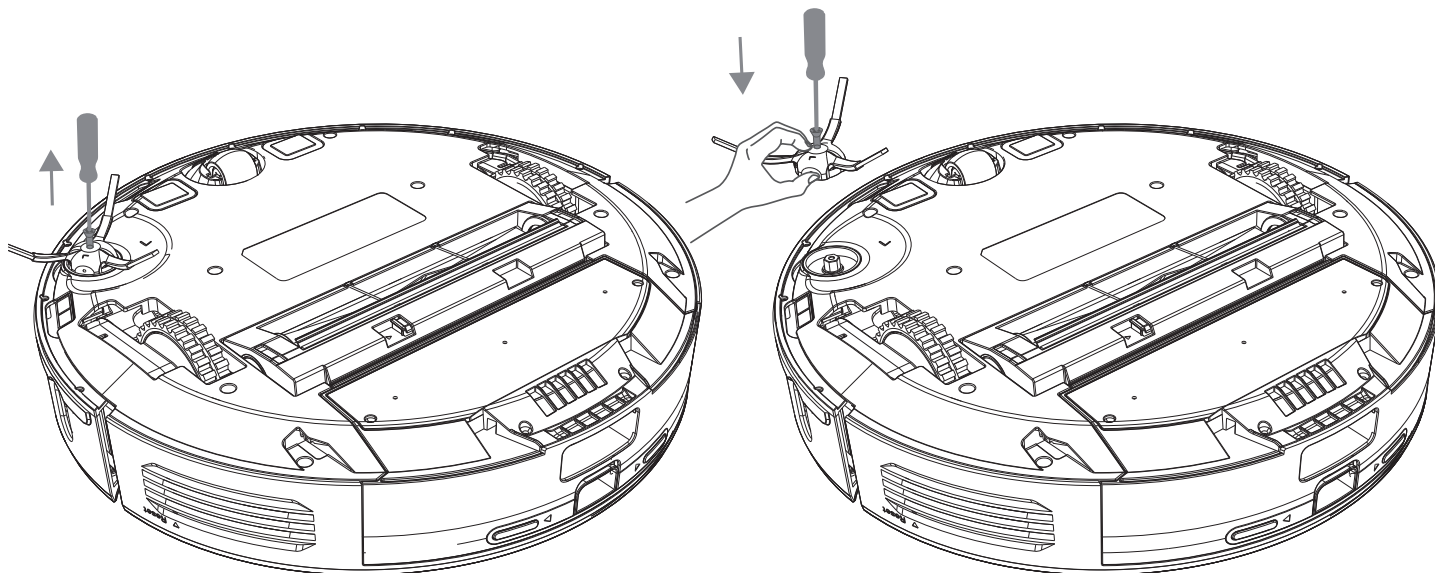


Maintenance mensuelle

Brosse latérale

- ① Utilisez un tournevis pour desserrer la vis de la brosse latérale et la retirer.
- ② Réinstallez la brosse latérale après avoir enlevé les cheveux et les saletés/poussières qui se trouvent sur la brosse latérale.

Note: En fonction de l'application, il est recommandé de remplacer la brosse latérale après 3 à 6 mois pour garantir une performance de nettoyage optimale.



EN

DE

FR

IT

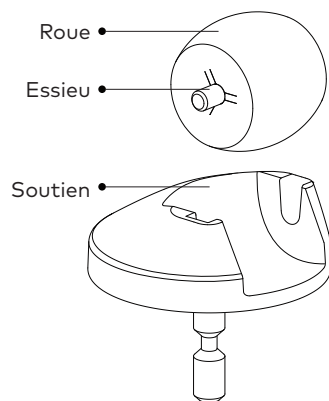
ES

JP

Roue universelle

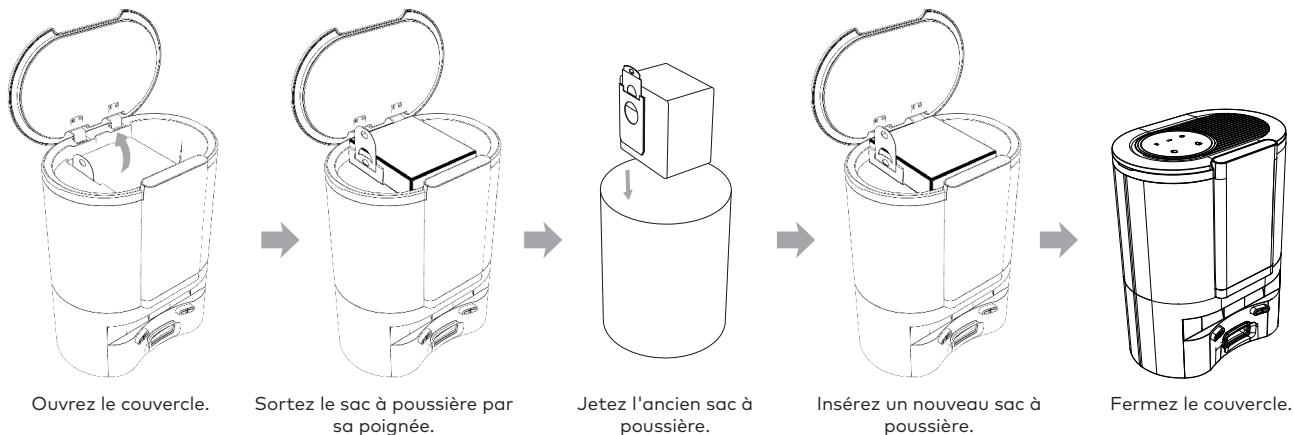
- ① Retournez l'aspirateur robot et tirez la roue universelle vers le haut.
- ② Débarrassez la roue, l'essieu et le support des cheveux et de la poussière.
- ③ Réinstallez la roue universelle et serrez-la bien.

Note: Lavez-la à l'eau, séchez-la et remettez-la en place.




Remplacer le sac à poussière

Une fois le sac à poussière plein, l'indicateur de la Station d'aspiration  s'allume en vert. Veuillez remplacer le sac à poussière par un nouveau! Il est recommandé de remplacer le sac à poussière toutes les 6 à 8 semaines.

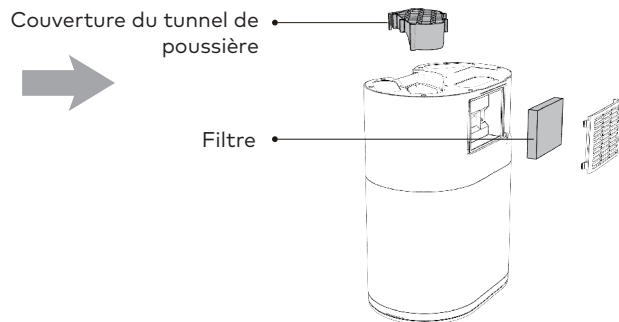


Note: La poignée du sac à poussière sert de fermeture. Lorsqu'elle est tirée vers le haut, elle se ferme automatiquement.

Nettoyage de l'unité d'aspiration/tunnel

- ① Si le témoin lumineux du sac à poussière  s'allume en vert fixe, mais le sac à poussière n'est pas plein, débranchez la fiche d'alimentation et retournez la Station d'aspiration. Ouvrez le couvercle du tunnel à poussière en desserrant les vis* et libérez-le de la saleté et des corps étrangers.
- ② Ouvrez la sortie d'air à l'arrière de la Station d'aspiration et nettoyez le filtre.

***Ne démontez pas les vis en forçant, mais avec précaution à l'aide d'un tournevis. Après chaque démontage, remontez le tout en respectant la conception originale.**



EN

DE

FR

IT

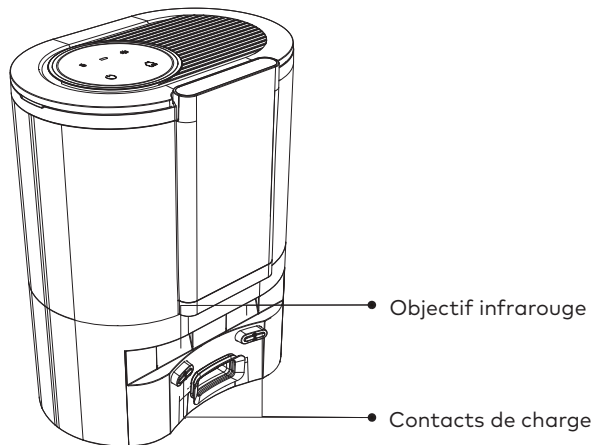
ES

JP

Nettoyage de la lentille infrarouge et des contacts de charge de la Station d'aspiration

Vérifiez que la lentille infrarouge et les contacts de charge de la Station d'aspiration ne sont pas sales et nettoyez-les avec un chiffon propre et sec.

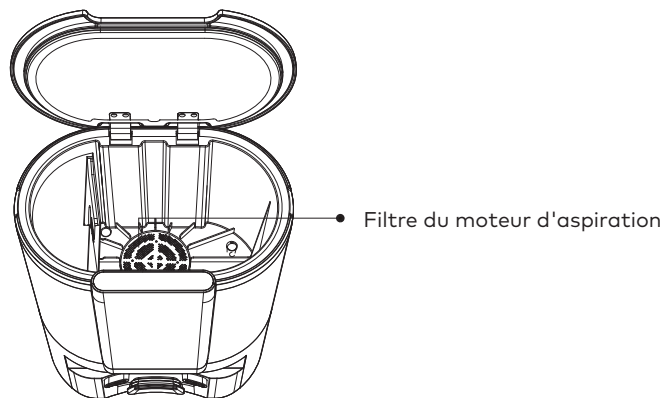
Note: Il est recommandé de les nettoyer au moins une fois par mois.



Nettoyage du filtre du moteur d'aspiration

Vérifiez si des saletés se sont accumulées sur le filtre du moteur d'aspiration. Si c'est le cas, retirez le filtre et nettoyez-le avec la brosse de nettoyage ou un chiffon sec.

Note: Il est recommandé de le nettoyer au moins une fois par mois.



Données techniques

Robot aspirateur

Description	Donnée
Dimensions	φ350mm x φ350mm x 98mm
Poids du produit	≈3.6kg
Tension nominale	14.4V ---
Puissance nominale	50W
Capacité de la batterie	5200mAh

Déclaration de la FCC

1. Cet appareil est conforme à la partie 15 des règles de la FCC. Son fonctionnement est soumis aux deux conditions suivantes:

- (1) Cet appareil ne doit pas causer d'interférences nuisibles, et
- (2) Cet appareil doit accepter toute interférence reçue, y compris les interférences susceptibles de provoquer un fonctionnement indésirable.

2. Les changements ou modifications qui ne sont pas expressément approuvés par la partie responsable de la conformité peuvent annuler l'autorité de l'utilisateur à utiliser l'équipement.

NOTE:

Cet équipement a été testé et déclaré conforme aux limites d'un appareil numérique de classe B, conformément à la partie 15 des règles de la FCC. Ces limites sont conçues pour fournir une protection raisonnable contre les interférences nuisibles dans une installation résidentielle.

Cet équipement génère, utilise et peut émettre de l'énergie de fréquence radio et, s'il n'est pas installé et utilisé conformément aux instructions, peut causer des interférences nuisibles aux communications radio. Cependant, il n'y a aucune garantie que des interférences ne se produiront pas dans une installation particulière. Si cet équipement provoque des interférences nuisibles à la réception de la radio ou de la télévision, ce qui peut être déterminé en éteignant et en allumant l'équipement, l'utilisateur est encouragé à essayer de corriger les interférences par une ou plusieurs des mesures suivantes:

- Réorientez ou déplacez l'antenne de réception.
- Augmentez la distance entre l'équipement et le récepteur.
- Connectez l'équipement à une prise sur un circuit différent de celui auquel le récepteur est connecté.
- Consultez le revendeur ou un technicien radio/TV expérimenté pour obtenir de l'aide.

Déclaration de la FCC sur l'exposition aux radiations

Cet équipement est conforme aux limites d'exposition aux radiations fixées par la FCC pour un environnement non contrôlé.

Cet équipement doit être installé et utilisé avec une distance minimale de 20 cm entre l'émetteur et votre corps.

Station d'aspiration

Description	Donnée
Dimensions générales	282mm x 361mm x 202mm
Puissance nominale	1050W
Valeur d'entrée	100-240V ~50/60Hz
Taux de sortie	DC24V---1.2A

EN

DE

FR

IT

ES

JP

Problèmes courants

Description du problème	Solution
Impossible de démarrer	<ul style="list-style-type: none"> La batterie est faible, veuillez remplacer manuellement le robot dans la Station d'aspiration pour le recharger avant de l'utiliser. La température ambiante est trop basse (inférieure à 0° C) ou trop élevée (supérieure à 40° C).
Impossible de lancer le nettoyage	<ul style="list-style-type: none"> La batterie est faible, veuillez remettre le robot dans la Station d'aspiration pour le recharger manuellement avant de l'utiliser.
Impossible de recharger	<ul style="list-style-type: none"> Il y a trop d'obstacles près de la Station d'aspiration. Veuillez placer la Station d'aspiration dans une zone ouverte. L'unité principale est trop éloignée de la Station d'aspiration. Veuillez essayer de placer l'unité principale près de la Station d'aspiration.
Comportement anormal	<ul style="list-style-type: none"> Redémarrez-le après l'avoir éteint.
Il y a un bruit anormal pendant le nettoyage	<ul style="list-style-type: none"> La Brosse à rouleau, la brosse latérale ou la roue gauche/droite peuvent être enveloppées de corps étrangers, veuillez les nettoyer après l'arrêt.
Diminution de la capacité de nettoyage ou chute de poussière hors de la machine	<ul style="list-style-type: none"> Le récipient à poussière est plein, veuillez le vider. Le filtre HEPA est obstrué, veuillez le nettoyer ou le remplacer. La Brosse à rouleau est enveloppée par des corps étrangers, veuillez la nettoyer.
Impossible de se connecter au Wi-Fi	<ul style="list-style-type: none"> Le signal Wi-Fi peut ne pas être bon, veuillez vous assurer que la machine se trouve dans une zone avec une couverture optimale du signal Wi-Fi. La connexion Wi-Fi peut être anormale, veuillez réinitialiser votre Wi-Fi, télécharger la dernière application et essayer de la connecter à nouveau.
Le nettoyage est en pause / ne se poursuit pas	<ul style="list-style-type: none"> Veuillez vérifier que la machine n'est pas en mode "ne pas déranger", elle ne continuera pas à nettoyer dans ce mode. Le fait de recharger la machine manuellement ou de la replacer dans la station d'aspiration empêchera la machine de continuer à nettoyer à la position précédente.
Impossible de revenir à la station d'aspiration après un nettoyage ponctuel ou un changement de position	<ul style="list-style-type: none"> Après un nettoyage ponctuel ou un déplacement important, le robot régénère la carte. Si la Station d'aspiration est trop éloignée, il se peut qu'elle ne puisse pas se recharger automatiquement. Veuillez le replacer manuellement dans la station d'aspiration.
Impossible de charger	<ul style="list-style-type: none"> Assurez-vous qu'il y a suffisamment d'espace libre autour de la station d'aspiration et que les contacts de charge ne sont pas sales.
Le nettoyage programmé ne fonctionne pas	<ul style="list-style-type: none"> Veuillez confirmer que l'appareil est connecté à un réseau. Si ce n'est pas le cas, vous ne pouvez pas synchroniser la tâche de nettoyage programmée.
La machine est toujours hors ligne.	<ul style="list-style-type: none"> Veuillez vous assurer que la machine est bien connectée à un réseau et qu'elle se trouve toujours dans la zone de couverture Wi-Fi.
Le téléphone mobile ne peut pas coupler l'appareil.	<ul style="list-style-type: none"> Veuillez vous assurer que la station d'aspiration et la machine se trouvent dans la couverture Wi-Fi et que le signal est optimal. Suivez les instructions pour réinitialiser le Wi-Fi et le relier à nouveau.

Dépannage

Robot aspirateur

Message d'erreur	Solution
Abnormal 1: Le capteur LiDAR est bloqué ou perturbé.	Veuillez vérifier que le capteur LiDAR ne contient pas de saletés ou de corps étrangers et retirez-les. Placez le robot à un autre endroit et redémarrez-le.
Abnormal 2: Veuillez nettoyer le capteur de cliff et changer de position pour commencer.	Nettoyez les capteurs cliff et placez le robot dans un nouvel emplacement (la position des capteurs est indiquée dans ce manuel d'utilisation).
Abnormal 3: Un fort champ magnétique est détecté.	Veuillez déplacer l'appareil à un autre endroit et réessayer.
Abnormal 4: Veuillez vérifier le pare-chocs avant et retirer tout objet étranger à proximité.	Retirez tout objet étranger qui pourrait gêner le pare-chocs avant. Le pare-chocs avant doit pouvoir être pressé avec peu de force.
Abnormal 5: La température de l'appareil est anormale.	La température de la machine est trop élevée ou trop basse. Veuillez attendre que la température revienne à la normale avant d'essayer de recommencer le nettoyage.
Abnormal 6: Le processus de charge est anormal.	Vérifiez si le câble d'alimentation d'origine est utilisé et s'il est branché correctement. Assurez-vous que la station d'aspiration est placée sur une surface plane et horizontale. Nettoyez les contacts de charge.

EN

DE

FR







IT

ES

JP

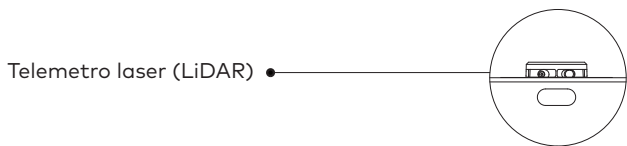
Station d'aspiration

La Station d'aspiration indique son état actuel par le biais des LED d'état situées sur le dessus du couvercle:

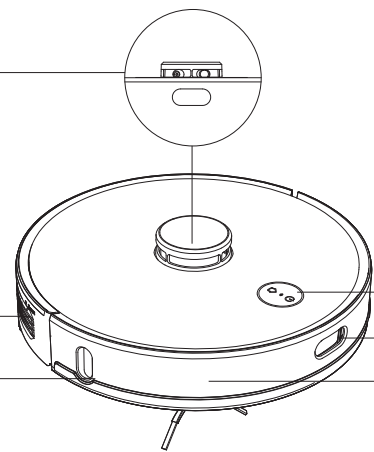
Voyant lumineux	Erreur courante	Solution
 Rouge clignotant	Erreur de ventilateur / surchauffe / le couvercle de la Station d'aspiration n'est pas fermé correctement	<ol style="list-style-type: none">1. Une aspiration fréquente peut entraîner le déclenchement de la protection contre la surchauffe de la Station d'aspiration. Laissez le moteur d'aspiration refroidir et réessayez après environ 30 minutes.2. Assurez-vous que le couvercle de la station d'aspiration est complètement fermé et qu'il est bien étanche. Assurez-vous également que l'aspirateur robot est placé sur la station d'aspiration pour la charge et que les contacts de charge sont en contact.
 Rouge clignotant	Le sac à poussière n'est pas installé / pas correctement en place	<ol style="list-style-type: none">1. Vérifiez si un sac à poussière est installé. Si ce n'est pas le cas, insérez un nouveau sac à poussière.2. Vérifiez que le sac à poussière est installé correctement et que les capteurs du support de sac à poussière détectent le sac.
 clignotant simultanément	Échec du couplage / Pas encore couplé	<ol style="list-style-type: none">1. Appuyez et maintenez les deux boutons  et  sur la station d'aspiration simultanément pendant 5 secondes: La station d'aspiration entre en mode de couplage, les trois indicateurs de la Station d'aspiration clignotent en vert.2. Appuyez et maintenez le bouton  pendant 5 secondes sur le robot: Le robot entre en mode de couplage, les voyants du robot clignotent en vert.3. Placez le robot sur la station d'aspiration pour le charger, et attendez que le message vocal indique que le couplage a réussi.

Descrizione del prodotto

Robot aspirapolvere

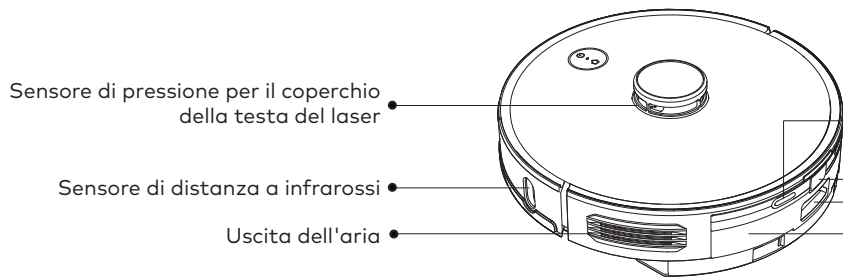


Telemetro laser (LiDAR)



Altoparlante
Sensore di distanza / muro
a infrarossi

Pulsante (Touch)
Sensore di carica a infrarossi /
Sensore anti-collisione a infrarossi
Paraurti anteriore / scudo anteriore

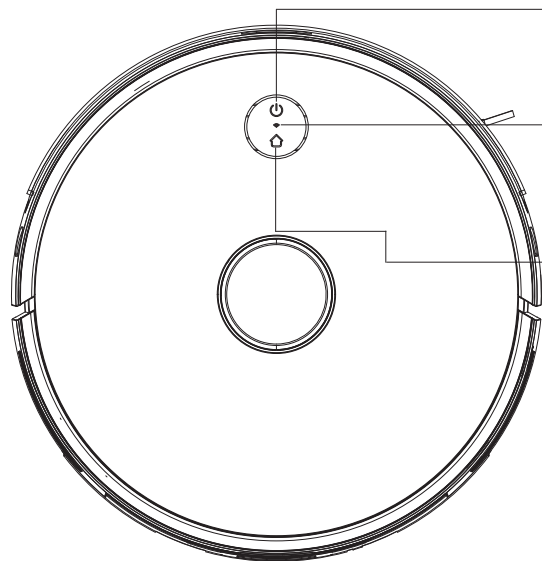


Sensore di pressione per il coperchio
della testa del laser
Sensore di distanza a infrarossi
Uscita dell'aria

Contatti di ricarica
Pulsante di rilascio del contenitore della polvere
Collegamento del contenitore della polvere
Contenitore per la polvere

- EN
- DE
- FR
- IT**
- ES
- JP

Controllo



Pulsante di avvio/pausa

- Premere a lungo: Accendere / spegnere.
- Stampa breve: Avviare / interrompere la pulizia.



Indicazione WiFi

- Il display lampeggia in bianco: la rete sta stabilendo una connessione (avviare la configurazione della rete).
- L'indicatore si illumina di bianco: la rete è collegata.

Pulsante Home

- Stampa breve: Avvio/arresto della ricarica
- Luce blu: Funzionamento normale / pausa / standby
- La luce blu lampeggia: L'unità si accende / Firmware-Aggiornamento in corso
- La luce gialla brilla: Batteria scarica / in carica
- La luce verde lampeggia: Sarà caricato
- La luce verde si accende: Pienamente carico
- La luce rossa lampeggia: Eccezione / Errore
- Off: spento / in stato di inattività


Configurazione della rete

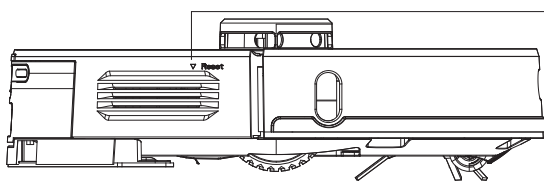
- Con l'unità accesa, tenere premuto il tasto  e  contemporaneamente per 5 secondi.

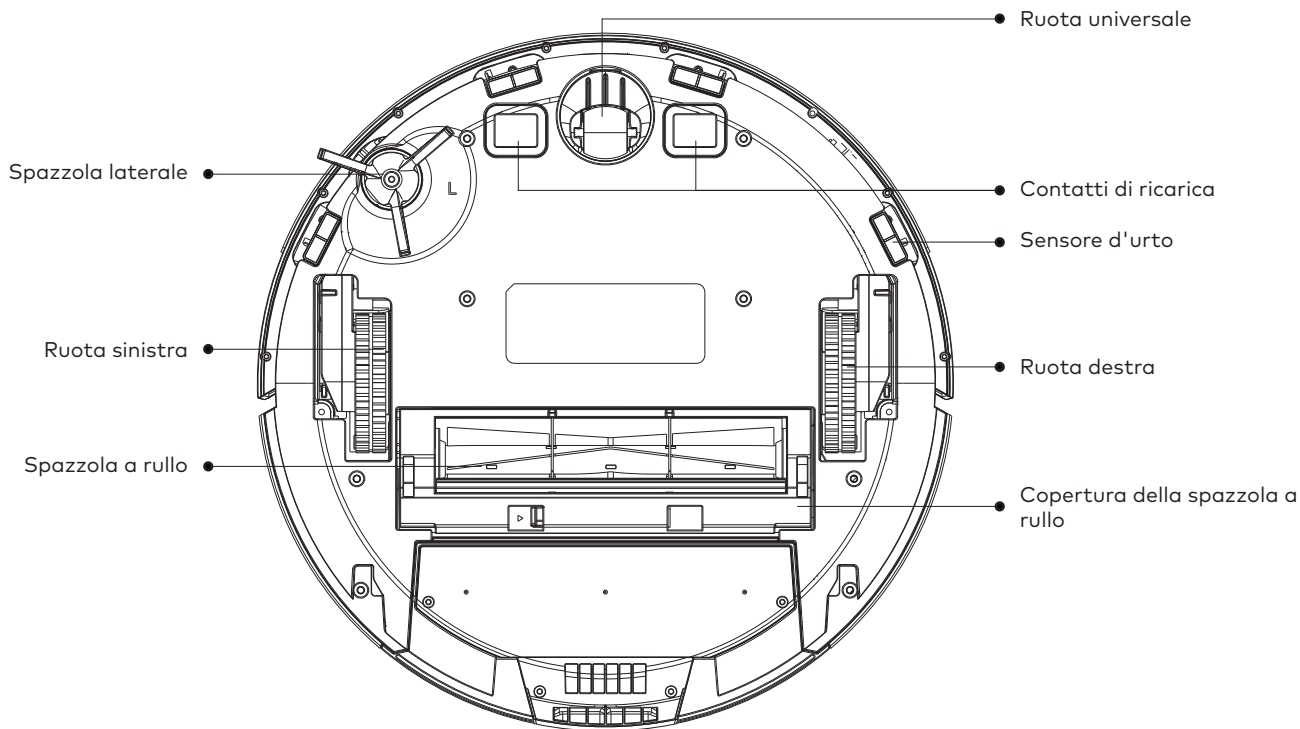
Forzare lo spegnimento

- Premere brevemente per spegnere.

Modalità di accoppiamento (con stazione di aspirazione)

- Quando si accende, tenere premuto il tasto  premuto per 5 secondi.





EN

DE

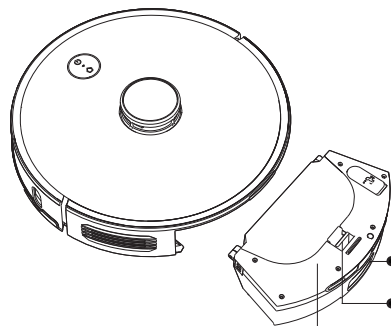
FR

IT

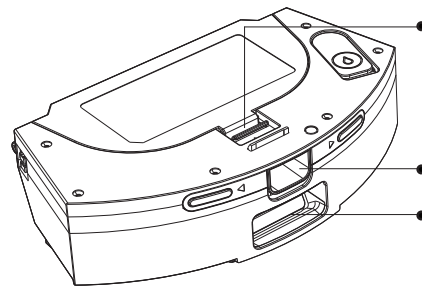
ES

JP

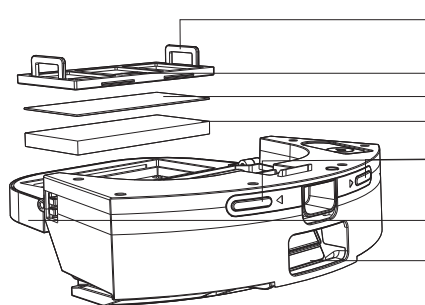
Contenitore per la polvere



- Pulsante di sblocco per il contenitore della polvere
- Fibbia del contenitore della polvere
- Contenitore per la polvere

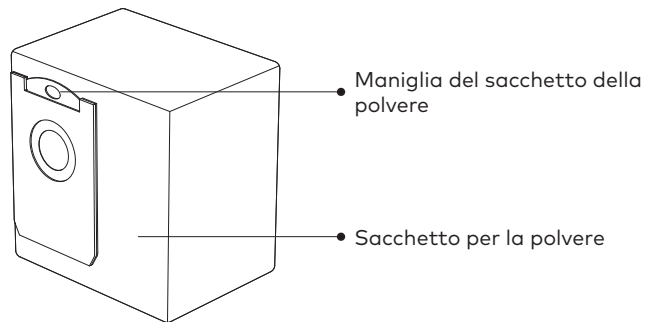
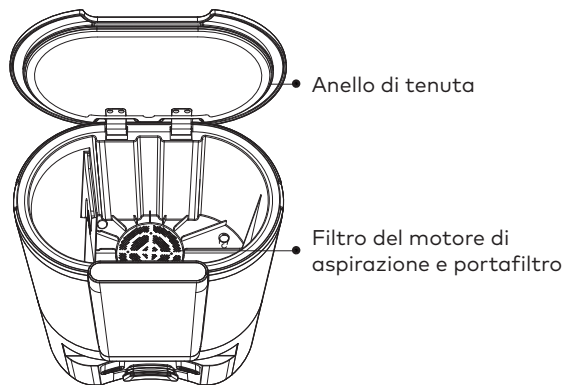
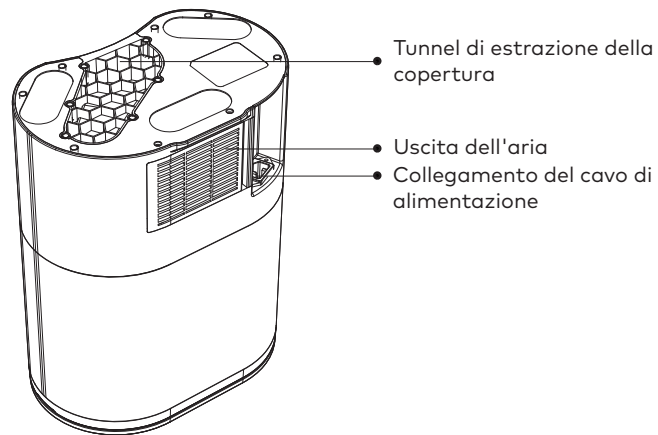
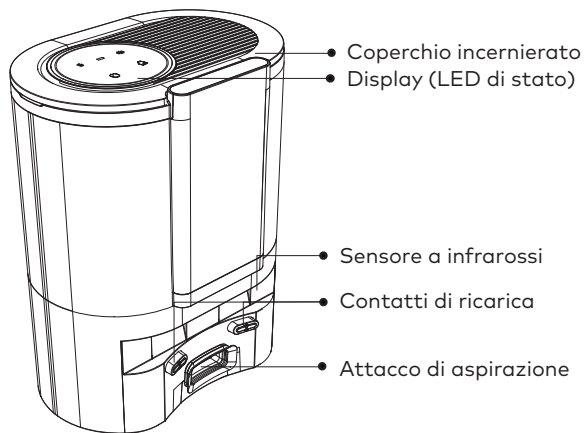


- Fibbia del contenitore della polvere
- Pulsante di sblocco
- Attacco di aspirazione



- Maniglia del portafiltro
- Portafiltro / Filtro per lo sporco grossolano
- Spugna filtrante
- Filtro HEPA
- Contatti di ricarica
- Sportello del contenitore della polvere
- Attacco di aspirazione

Stazione di aspirazione



EN

DE

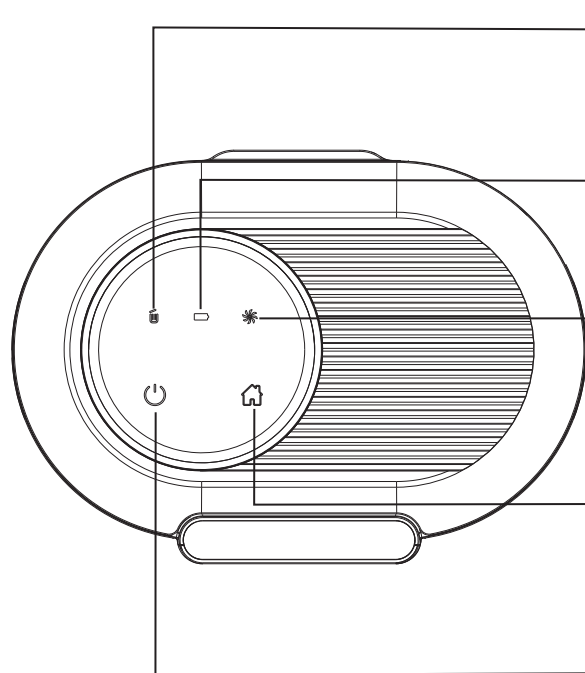
FR

IT

ES

JP

Controllo della stazione di estrazione



Indicatore del sacchetto della polvere

- La luce verde si accende: Il sacco della polvere è pieno / il condotto di aspirazione (e il tunnel della polvere) è bloccato.
- La luce rossa lampeggia rapidamente: Il sacchetto della polvere manca / non è installato correttamente

Indicatore del livello di carica

- Verde lampeggiante lentamente: In carica
- Si illumina permanentemente di verde: completamente carico/ acceso

Display del ventilatore

- L'indicatore del ventilatore si illumina di verde continuamente: polvere di aspirazione
- L'indicatore della ventola lampeggia in rosso: ventola surriscaldata / errore della ventola / la stazione di aspirazione non è ben chiusa

Pulsante Home

- Premere brevemente: Ritorna alla stazione di estrazione e inizia a caricare
- Tenere premuto per 3 secondi: Torna alla stazione di estrazione, ricaricati e continua.

Pulsante di avvio/arresto

- Premere brevemente: Avviare la pulizia automatica / Fermare la pulizia
- Premere per 3 secondi: Iniziare la pulizia della gamma

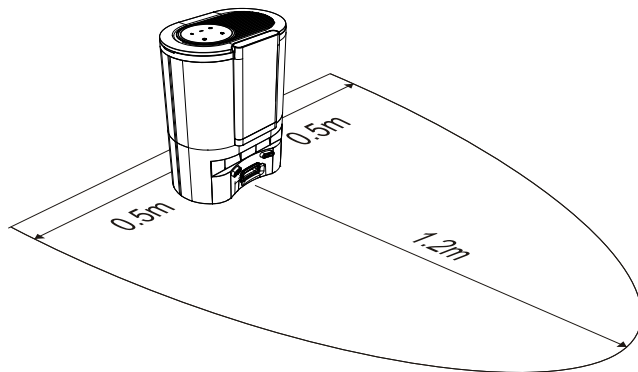
Istruzioni per l'installazione

Installare la stazione di estrazione

1. La stazione di estrazione deve essere posizionata a più di 6 cm dal muro su un terreno piano.



2. Assicuratevi che ci sia una distanza di più di 1,2 m sul davanti e più di 0,5 m sui due lati della stazione di estrazione.



Informazioni sulla stazione di aspirazione

La stazione di aspirazione è progettata per aspirare la polvere dall'aspirapolvere robot e ricaricarlo. L'aspirapolvere robot torna automaticamente alla stazione di aspirazione per far aspirare lo sporco e la polvere. Se la batteria del robot è scarica, ritorna automaticamente alla stazione di aspirazione e si ricarica. Una volta che un sacchetto si è riempito di polvere e sporcizia, dovrebbe essere sostituito con uno nuovo per mantenere l'effetto filtrante.

EN

DE

FR

IT



ES

JP

Istruzioni per l'uso


Uso dell'aspirapolvere robot

Accendere/spegnere

Tenere premuto il tasto  per accendere l'unità. Dopo l'avvio, tenere premuto il tasto  per spegnere nuovamente il sistema.

Nota: Quando l'aspirapolvere robot viene caricato nella stazione di aspirazione, si accende automaticamente e non può essere spento durante il processo di carica.

Pulire/rompere

Quando l'unità è accesa, premere brevemente il tasto , per iniziare a pulire l'intera area accessibile.

Premere un pulsante qualsiasi per interrompere la pulizia.

Se la batteria è troppo debole, la pulizia non si avvia. Si prega di caricare prima l'apparecchio e poi iniziare la pulizia.

Se la batteria non è sufficientemente carica durante il processo di pulizia, l'aspirapolvere robot torna automaticamente alla stazione di aspirazione per ricaricarsi. Quando la batteria è carica all'80%, continua la pulizia al punto finale precedente.

Nota: Si raccomanda che l'aspirapolvere robot inizi a pulire dalla stazione di aspirazione.

Utilizzo della stazione di aspirazione

Pulsante di avvio/arresto

Premere brevemente: Avviare la pulizia automatica / Fermare la pulizia
Premere per 3 secondi: Iniziare la pulizia dell'area

Ricarica

Caricamento automatico: L'aspirapolvere robot torna automaticamente alla stazione di aspirazione per essere ricaricato quando la pulizia è completa o quando la carica della batteria è insufficiente.

Caricamento manuale: Premere il tasto , per inviare il robot alla stazione di ricarica e iniziare la ricarica. Dopo aver messo in pausa/arresto il robot aspirapolvere, puoi anche portarlo manualmente/manualmente alla stazione di aspirazione per caricarlo.

Nota: Assicuratevi che i contatti di ricarica abbiano un buon contatto e siano puliti.

Modalità di ibernazione/standby

Se nessun ciclo di pulizia viene avviato per più di 20 minuti, l'aspirapolvere robot passa automaticamente alla modalità sleep.




Nota: L'aspirapolvere robot non va in modalità sleep quando si carica.

Nota: Se l'aspirapolvere robot è stato messo in pausa o si è fermato da solo e non ha più abbastanza carica della batteria, si spegnerà automaticamente.

Pulsante Home

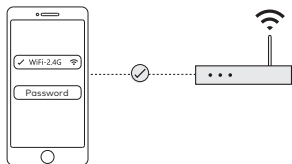
Premere brevemente: Ritorna alla stazione di aspirazione e inizia a caricare.
Tenere premuto per 3 secondi: Torna alla stazione di estrazione, carica e poi continua la pulizia.

Accoppiamento della stazione di aspirazione e del robot di aspirazione (configurato ex works)

1. Sulla stazione di aspirazione 5s, premere i pulsanti  e : La stazione di aspirazione è impostata sulla modalità di accoppiamento. Le tre spie sulla stazione di aspirazione lampeggiano in verde.
2. Premere il pulsante Home  sul robot per 5 secondi: Il robot passa alla modalità di accoppiamento e i LED sul robot lampeggiano in verde.
3. Posizionare l'aspirapolvere robot sulla stazione di aspirazione per caricarlo. Una voce conferma che l'accoppiamento è/era riuscito.

Collegare i robot al cloud

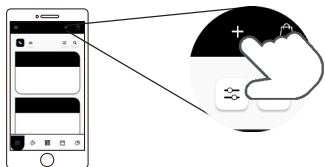
- 1 Collega il tuo cellulare o tablet alla WLAN desiderata. (La WLAN deve supportare la frequenza di 2,4 GHz!)



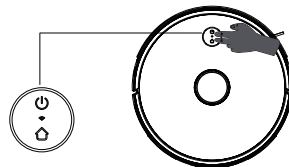
- 2 Scansiona uno dei codici QR qui sotto o cerca "FieldBots" nell'app store del tuo dispositivo mobile. Scarica l'app e accedi con il tuo account FieldBots.



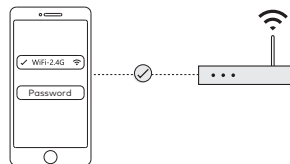
- 3 Clicca sul "Più (+)" in alto a destra e seleziona il robot aspirapolvere "Cleanfix S170 Navi!".



- 4 Tenere premuti i pulsanti "Power" e "Home" per 5 secondi per avviare la configurazione della rete dell'aspirapolvere robot.



- 5 Selezionate la WLAN appena connessa del dispositivo mobile e inserite nuovamente la password.



- 6 Richiamate le impostazioni WLAN del vostro dispositivo mobile e connettetevi alla WLAN. "SmartLife-XXXX".



- 7 Torna a FieldBots e aspetta che la configurazione della rete sia completa.

EN

DE

FR

IT

ES

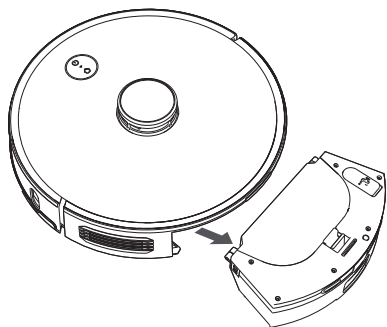
JP

Manutenzione

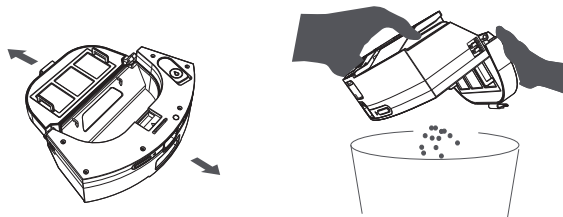
Manutenzione settimanale

Contenitore per la polvere

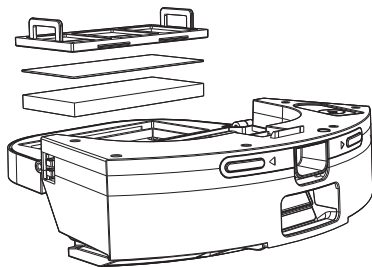
① Premere il pulsante di rilascio del contenitore della polvere ed estrarre il contenitore della polvere sul retro.



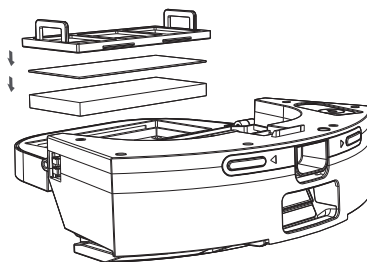
② Aprire il contenitore della polvere e svuotarlo.



③ Rimuovere e pulire il filtro per lo sporco grossolano e la spugna del filtro. Sciacquare il filtro per lo sporco grossolano e il contenitore della polvere con acqua e asciugarli. Se molto sporco, sostituire il filtro HEPA.



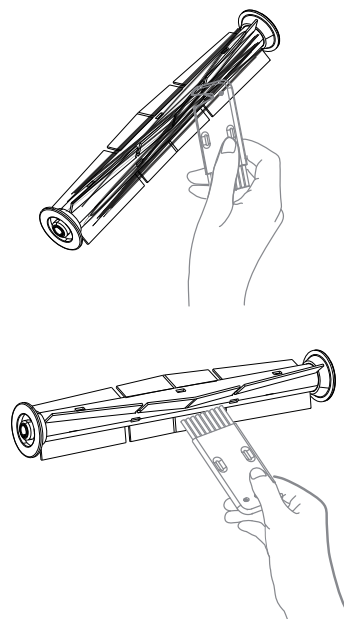
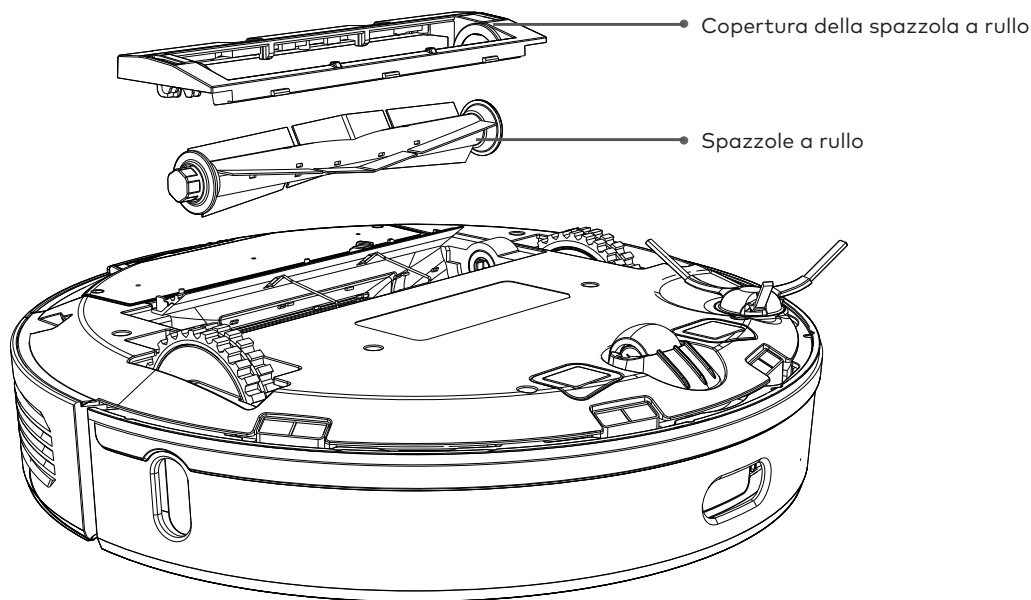
④ Dopo che il filtro e il contenitore della polvere si sono asciugati completamente, rimettete tutto insieme.



Spazzola a rullo

- ① Girare l'aspirapolvere robot, premere le clip di fissaggio a sinistra e a destra e rimuovere il coperchio della spazzola a rullo.
- ② Rimuovere la spazzola a rullo e liberarla da capelli aggrovigliati e altro sporco. Usa la spazzola di pulizia per questo.
- ③ Riposizionare la spazzola del rullo e fissarla con il coperchio della spazzola del rullo. Assicurati che il coperchio si incastri bene!

Nota: Per i migliori risultati di pulizia, si raccomanda (a seconda dell'applicazione) di sostituire la spazzola a rullo ogni 6-12 mesi.



EN

DE

FR

IT

ES

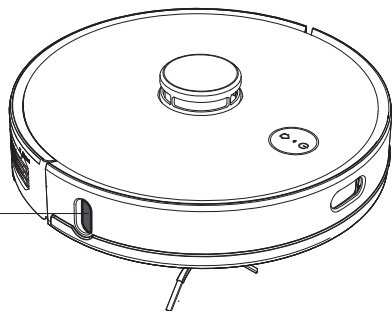
JP

Sensori

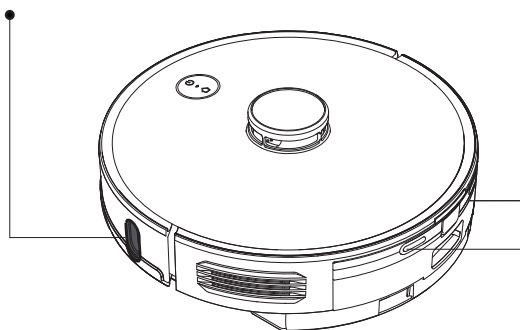
Pulire i seguenti sensori dell'aspirapolvere robot con un panno morbido e asciutto:

- ① I 4 sensori di caduta sul lato inferiore dell'aspirapolvere robot.
- ② Il sensore a infrarossi di distanza/muro sul lato destro dell'unità.
- ③ Il sensore di distanza a infrarossi sul lato sinistro dell'unità.
- ④ I contatti di ricarica sul retro del robot di pulizia.

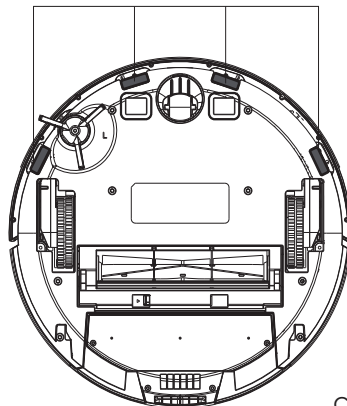
Sensore di distanza/
muro a infrarossi



Sensore di distanza a
infrarossi



Sensori d'urto

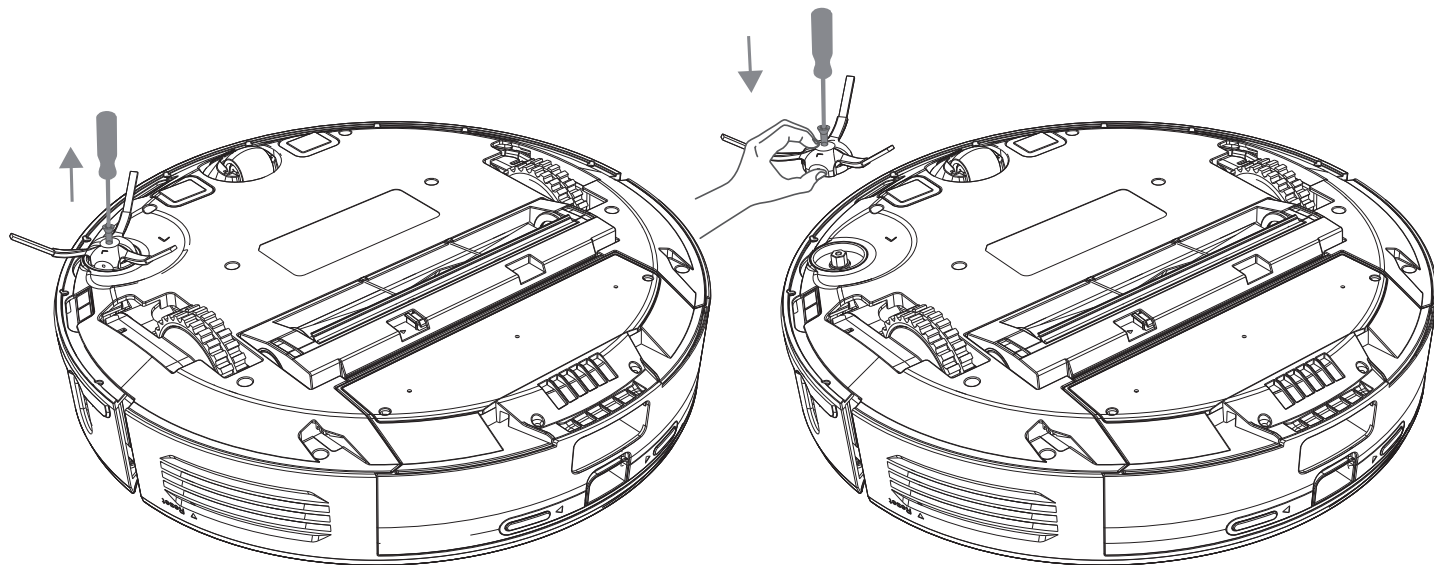


Manutenzione mensile

Spazzola laterale

- ① Allentare la vite della spazzola laterale con un cacciavite e smontare la spazzola laterale.
- ② Pulire la spazzola laterale e rimuovere i capelli aggrovigliati o altro sporco.

Nota: Per ottenere i migliori risultati di pulizia, si raccomanda di sostituire la spazzola laterale ogni 3-6 mesi.



EN

DE

FR

IT

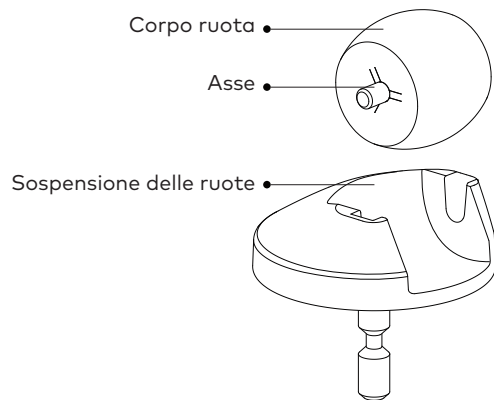
ES

JP


Ruota universale

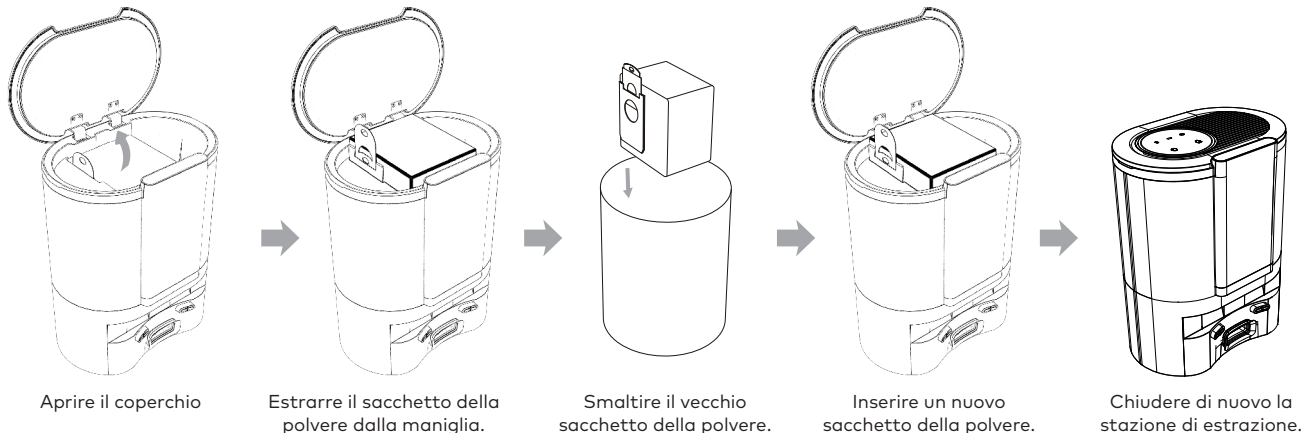
- ① Girare l'unità e tirare la ruota universale verso l'alto.
- ② Rimuovere i capelli e lo sporco dalla ruota, dall'asse e dalla sospensione.
- ③ Riposizionare la ruota universale e premerla fermamente.

Nota: Lavare con acqua, asciugare e sostituire.




Sacchetto per la polvere

Quando il sacchetto della polvere è pieno, l'indicatore si accende  sulla stazione di estrazione è permanentemente verde. Si prega quindi di sostituire il sacchetto di polvere completo! Si raccomanda di sostituire il sacchetto della polvere ogni 6-8 settimane.

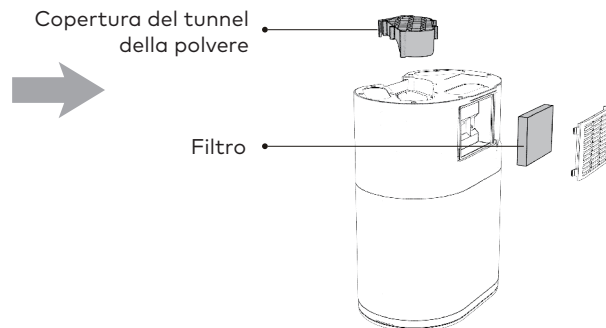


Nota: La maniglia del sacchetto della polvere serve da chiusura. Si chiude automaticamente quando viene tirato su.

Pulizia dell'unità di aspirazione

- 1 Quando la spia del sacchetto della polvere  si illumina di verde fisso ma il sacco della polvere non è pieno, scollegare la spina di rete della stazione di estrazione e girarla. Aprire il coperchio del tunnel della polvere allentando le viti* e liberarlo dallo sporco e dai corpi estranei.
- 2 Aprire l'uscita dell'aria sul retro della stazione di estrazione e pulire il filtro.

*** Non rimuovere le viti con forza, ma con attenzione con un cacciavite. Dopo ogni smontaggio, rimontate tutto secondo la costruzione originale.**



EN

DE

FR

IT

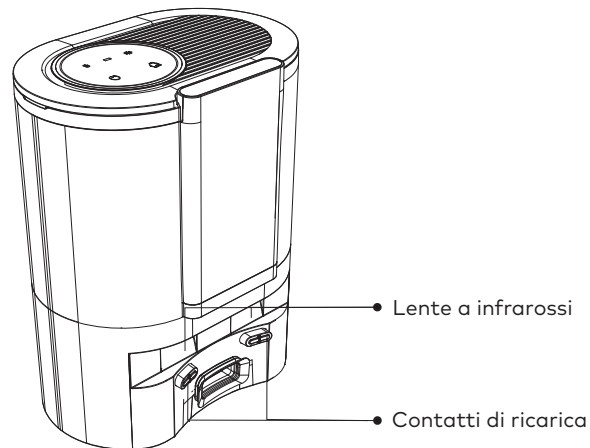
ES

JP

Pulizia della lente a infrarossi e dei contatti di carica della stazione di estrazione

Controllare che la lente a infrarossi e i contatti di carica della stazione di estrazione non siano sporchi e pulirli con un panno pulito e asciutto.

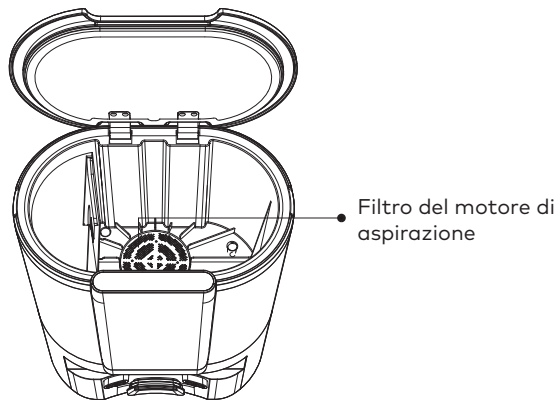
Nota: Si raccomanda di pulirli almeno una volta al mese.



Pulizia del filtro del motore di aspirazione

Controllare se si è accumulata della sporcizia sul portafiltro del motore d'aspirazione. In questo caso, rimuovere il filtro e pulirlo con la spazzola di pulizia o un panno asciutto.

Nota: Si raccomanda di pulirlo almeno una volta al mese.



Dati tecnici

Robot aspirapolvere

Descrizione	Valore
Dimensioni	φ350mm x φ350mm x 98mm
Peso	≈3.6kg
Tensione nominale	14.4V ---
Potenza nominale	50W
Capacità della batteria	5200mAh

Stazione di aspirazione

Descrizione	Valore
Dimensioni	282mm x 361mm x 202mm
Potenza nominale	1050W
Potenza in ingresso	100-240V ~50/60Hz
Potenza di uscita	DC24V---1.2A

Dichiarazione della FCC

1. Questo dispositivo è conforme alla parte 15 delle norme FCC. Il funzionamento è soggetto alle due condizioni seguenti:

(1) L'apparecchio non deve provocare onde radio dannose e

(2) deve resistere a tutte le onde radio ricevute, comprese le onde radio che potrebbero causare un funzionamento indesiderato.

2. Cambiamenti o modifiche non espressamente approvati dalla parte responsabile della conformità potrebbero annullare l'autorità dell'utente ad utilizzare l'attrezzatura.

NOTA:

Questa attrezzatura è stata testata e trovata conforme ai limiti per un dispositivo digitale di classe B, secondo la parte 15 delle norme FCC. Questi limiti sono progettati per fornire una protezione ragionevole contro le interferenze dannose in un'installazione residenziale. Questa apparecchiatura genera, utilizza e può irradiare energia in radiofrequenza. Se non è installato e utilizzato secondo le istruzioni, può causare interferenze ad altre apparecchiature radio. Tuttavia, non c'è garanzia che non si verifichino interferenze in una particolare installazione. Se è evidente un'interferenza nella ricezione radiotelevisiva, che può essere determinata accendendo e spegnendo l'apparecchiatura, l'utente è invitato a cercare di correggere l'interferenza adottando una o più delle seguenti misure:

- Riorientare o riposizionare l'antenna ricevente.
- Aumentare la distanza tra l'unità e il ricevitore.
- Collegare l'unità a una presa su un circuito diverso da quello a cui è collegato il ricevitore.
- Contattare il rivenditore o un tecnico radiotelevisivo esperto per aiuto.

Dichiarazione FCC sull'esposizione alle radiazioni

Questa attrezzatura è conforme ai limiti di esposizione alle radiazioni FCC stabiliti per un ambiente non controllato.

Questo dispositivo deve essere installato e utilizzato con una distanza minima di 20 cm tra il trasmettitore e il vostro corpo.

EN

DE

FR

IT

ES

JP

Problemi comuni

Descrizione del problema	Soluzione
Avvio non possibile	<ul style="list-style-type: none"> • La batteria è troppo debole. Resettare il robot manualmente e caricarlo prima di utilizzarlo. • La temperatura ambiente è troppo bassa (meno di 0° C) o troppo alta (più di 40° C).
La pulizia non può essere avviata	<ul style="list-style-type: none"> • Il livello di carica della batteria è troppo basso. Riportare il robot alla stazione di ricarica e caricarlo completamente una volta.
Carica non possibile	<ul style="list-style-type: none"> • Troppi ostacoli vicino alla stazione di estrazione. Si prega di posizionarlo su un'area libera. • Il robot è troppo lontano dalla stazione di estrazione. Posizionatelo vicino alla stazione di aspirazione.
Comportamento insolito	<ul style="list-style-type: none"> • Spegner e riavviare il robot
Si sente un rumore insolito durante la pulizia	<ul style="list-style-type: none"> • La spazzola del rullo, la spazzola laterale o la ruota sinistra/destra sono avvolte da oggetti estranei, si prega di spegnere il robot e pulire i componenti interessati.
Diminuzione delle prestazioni di pulizia	<ul style="list-style-type: none"> • Il cestino della polvere è pieno, per favore svuotalo. • Il filtro HEPA è intasato, pulirlo o sostituirlo. • La spazzola del rullo è avvolta da materiale estraneo, si prega di pulirla.
La connessione Wi-Fi non può essere stabilita	<ul style="list-style-type: none"> • Il segnale Wi-Fi potrebbe non essere sufficiente. Assicurati che l'unità sia in un ambiente con una copertura ottimale del segnale Wi-Fi. • La connessione Wi-Fi potrebbe essere disturbata. Ripristina la configurazione di rete del robot, scarica l'ultima app e riprova.
La pulizia è stata messa in pausa / non sarà continuata	<ul style="list-style-type: none"> • Assicuratevi che l'unità non sia in modalità "Non disturbare". La pulizia non può più essere continuata in questo modo. • Se si carica manualmente il robot o lo si riporta alla stazione di estrazione, non può continuare a pulire nella posizione precedente.
Nessun ritorno alla stazione di aspirazione dopo una pulizia dei punti o un cambio di posizione	<ul style="list-style-type: none"> • Dopo una pulizia a punti o un trasferimento più lungo, l'unità rigenera la mappa. • Se la stazione di aspirazione è troppo lontana, potrebbe non essere in grado di trovarla automaticamente. Si prega di riportare il robot alla stazione di ricarica/stazione di estrazione manualmente.
Non può essere caricato	<ul style="list-style-type: none"> • Assicuratevi che ci sia abbastanza spazio intorno alla stazione di estrazione e che i contatti di ricarica non siano sporchi.
La pulizia programmata non funziona	<ul style="list-style-type: none"> • Assicuratevi che l'unità sia collegata ad una rete. • Se non lo è, non sarete in grado di sincronizzare l'attività di pulizia programmata.
La macchina è sempre offline	<ul style="list-style-type: none"> • Assicuratevi che l'unità sia collegata con successo ad una rete e che sia sempre all'interno della copertura Wi-Fi.
Il telefono cellulare non può accoppiare i dispositivi.	<ul style="list-style-type: none"> • Assicurati che la stazione di aspirazione e il robot siano all'interno della stessa copertura Wi-Fi e che il segnale sia ottimale. Segui le istruzioni per resettare il Wi-Fi e poi accoppialo di nuovo.

Messaggi di errore

Robot aspirapolvere

Messaggio di errore	Soluzione
Abnormal 1: Il sensore LiDAR è bloccato o disturbato.	Si prega di controllare il sensore LiDAR per la presenza di sporcizia o di oggetti estranei e di rimuoverli. Spostare il robot in un'altra posizione e riavviarlo.
Abnormal 2: I sensori di crash sono sporchi.	Pulire i sensori di crash e posizionare il robot in una nuova posizione. (vedere il manuale di istruzioni per la posizione dei sensori).
Abnormal 3: È stato rilevato un campo magnetico troppo forte.	Si prega di spostare l'unità in un'altra posizione e riprovare.
Abnormal 4: Si prega di controllare lo scudo anteriore (paraurti anteriore) e di rimuovere qualsiasi oggetto estraneo.	Rimuovere qualsiasi oggetto estraneo che interferisca con lo scudo anteriore (paraurti anteriore). Lo scudo deve poter essere premuto con poca forza.
Abnormal 5: La temperatura dell'unità non è normale.	La temperatura dell'apparecchio è troppo alta o troppo bassa. Si prega di attendere che la temperatura ritorni normale prima di iniziare di nuovo la pulizia.
Abnormal 6: Il processo di carica è disturbato.	Controllate che venga usato l'alimentatore originale e che sia collegato correttamente. Assicurarsi che la stazione di estrazione sia posizionata su una superficie piana. Pulire i contatti di carica.

EN

DE

FR







IT

ES

JP

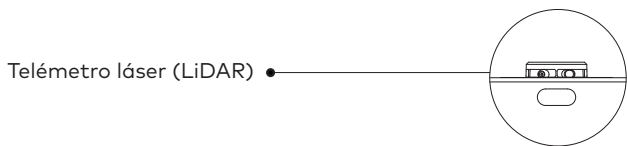
Stazione di aspirazione

La stazione di estrazione indica lo stato attuale tramite i LED di stato sulla parte superiore del coperchio:

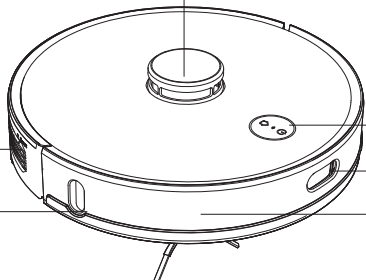
Messaggio di errore	Descrizione dell'errore	Soluzione
 Lampeggia in rosso	Errore del motore di aspirazione / surriscaldamento / il coperchio della stazione di aspirazione non è chiuso correttamente	<ol style="list-style-type: none">1. Un'aspirazione frequente può far scattare la protezione contro il surriscaldamento della stazione di aspirazione. Lasciate raffreddare il motore di aspirazione e riprovate dopo circa 30 minuti.2. Assicurarsi che il coperchio della stazione di aspirazione sia completamente chiuso e sigilli bene. Assicurati anche che l'aspirapolvere robot sia posizionato sulla stazione di aspirazione per la ricarica e che i contatti di ricarica siano a contatto.
 Lampeggia in rosso	Il sacchetto della polvere non è installato / non è installato correttamente	<ol style="list-style-type: none">1. Controllare se è installato un sacchetto per la polvere. In caso contrario, inserire un nuovo sacchetto della polvere.2. Controllare che il sacchetto della polvere sia installato correttamente e che i sensori del supporto del sacchetto della polvere rilevino il sacchetto.
 lampeggianti simultaneamente	Accoppiamento fallito / nessun aspirapolvere robot collegato*. (*La stazione di estrazione non è collegata a nessun aspirapolvere robot).	<ol style="list-style-type: none">1. Tenere premuti i due pulsanti  e  sulla stazione di aspirazione simultaneamente per 5 secondi: La stazione di aspirazione va in modalità di accoppiamento, i tre LED di stato lampeggiano in verde.2. Tenere premuto il pulsante  sul robot per 5 secondi: Il robot va in modalità di accoppiamento, i 2 LED di stato lampeggiano in verde.3. Ora posiziona il robot sulla stazione di aspirazione per la ricarica e aspetta il messaggio vocale che conferma l'avvenuto accoppiamento.

Descripción del producto

Robot aspirador



Telémetro láser (LiDAR)



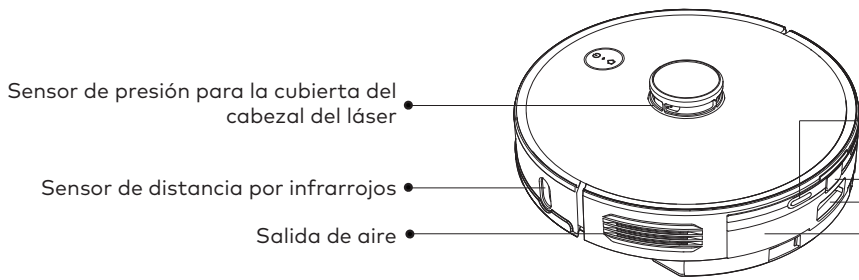
Altavoz

Sensor de distancia/pared infrarrojos

Botón (táctil)

Sensor de carga infrarrojo /
Sensor anticolisión de infrarrojos

Parachoques delantero / escudo delantero



Sensor de presión para la cubierta del
cabezal del láser

Sensor de distancia por infrarrojos

Salida de aire

Contactos de carga

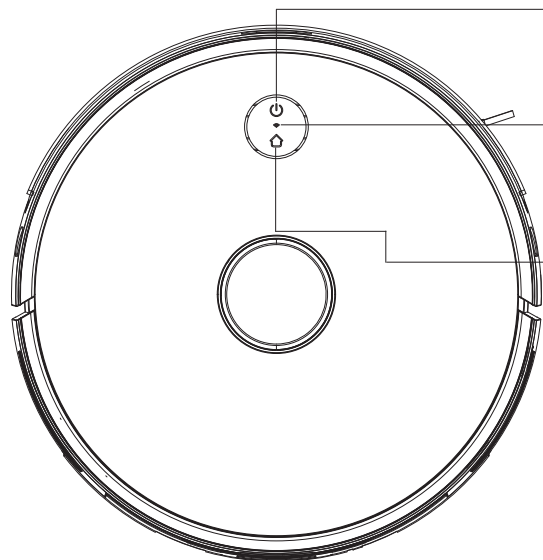
Botón de liberación del contenedor de polvo

Conexión del contenedor de polvo

Contenedor de polvo

- EN
- DE
- FR
- IT
- ES**
- JP

Controlar



Botón de inicio/pausa

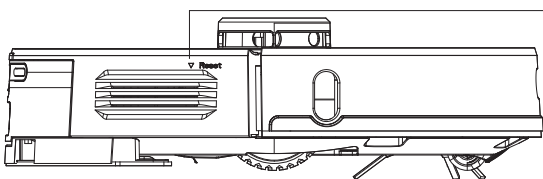
- Pulsación larga: Encender/apagar.
- Impresión corta: Iniciar / detener la limpieza.

Indicación de WiFi



- La pantalla parpadea en blanco: la red está estableciendo una conexión (iniciar la configuración de la red).
- El indicador se ilumina en blanco: la red está conectada.

Botón de inicio

- Impresión corta: Inicio/parada de la carga
- Luz azul: funcionamiento normal / pausa / espera
- La luz azul parpadea: La unidad está encendida / Firmware-Actualización en curso
- Se enciende la luz amarilla: Batería baja/cargando
- La luz verde parpadea: se cargará
- Se enciende la luz verde: Carga completa
- La luz roja parpadea: Excepción / Error
- Off: apagado / en estado de reposo




Configuración de la red

- Con el aparato encendido, mantenga pulsada la tecla  e  simultáneamente durante 5 segundos.

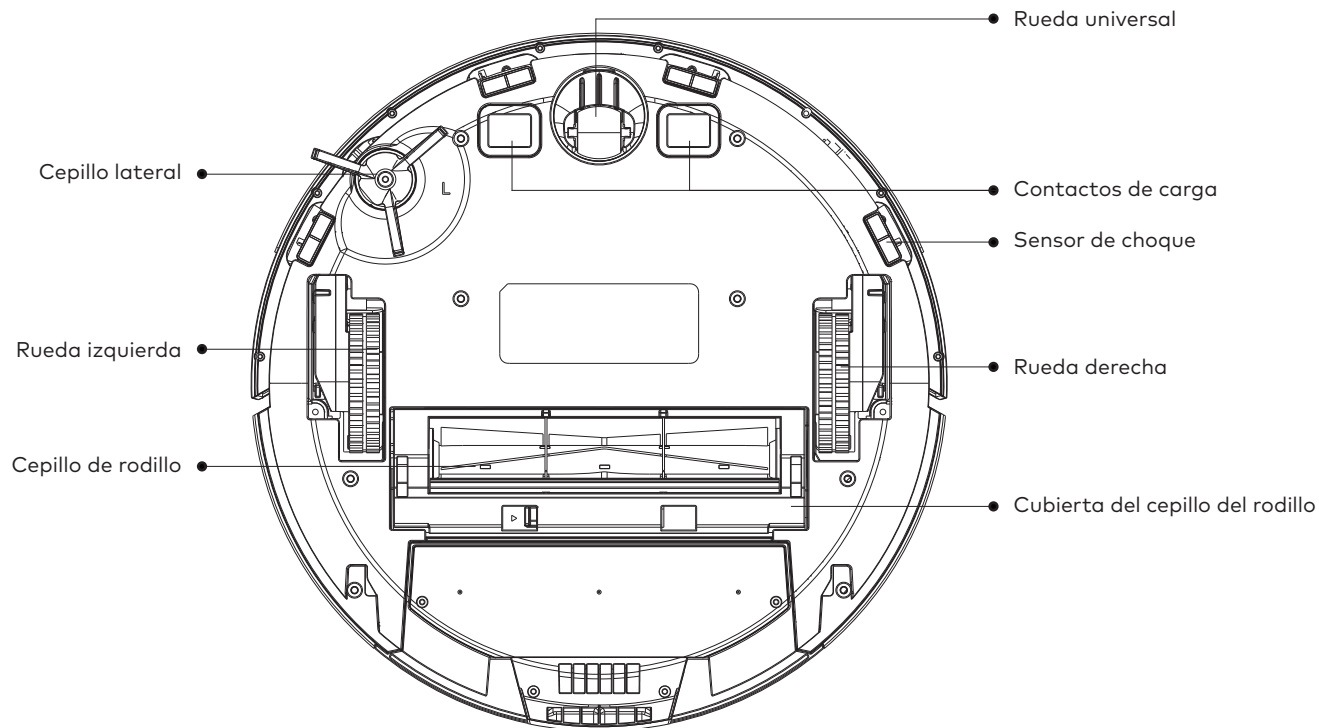
Forzar el cierre

- Pulse brevemente para apagar.

Modo de acoplamiento (con estación de aspiración)

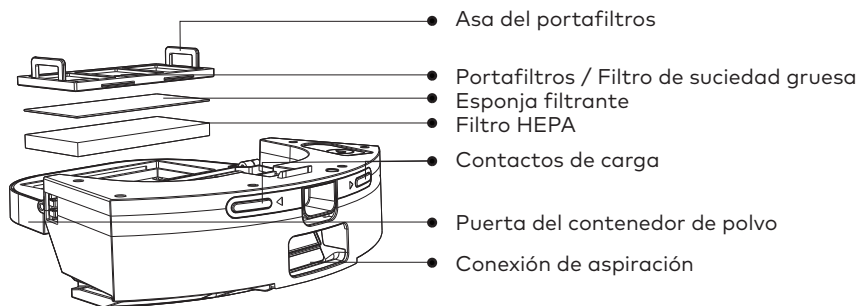
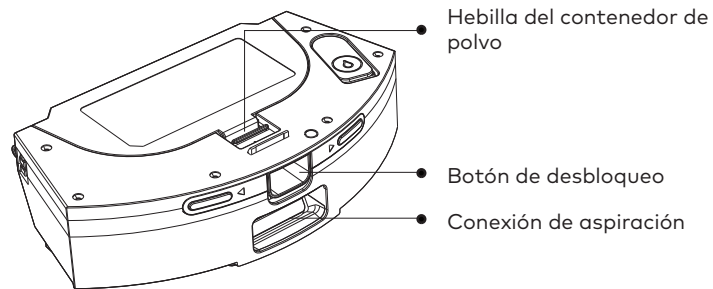
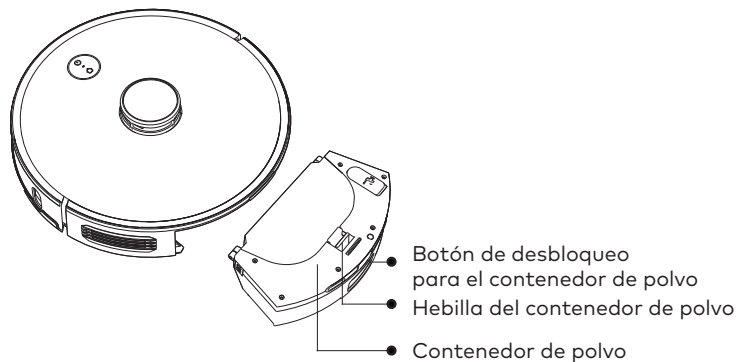
- Al encender, mantenga pulsada la tecla  pulsado durante 5 segundos.

Sensores

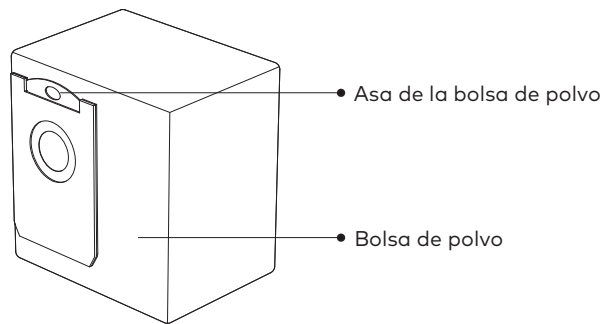
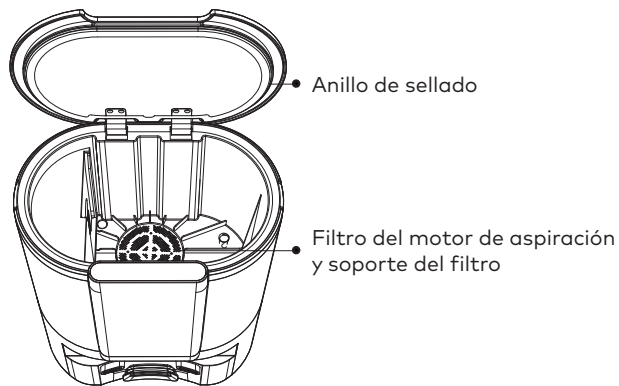
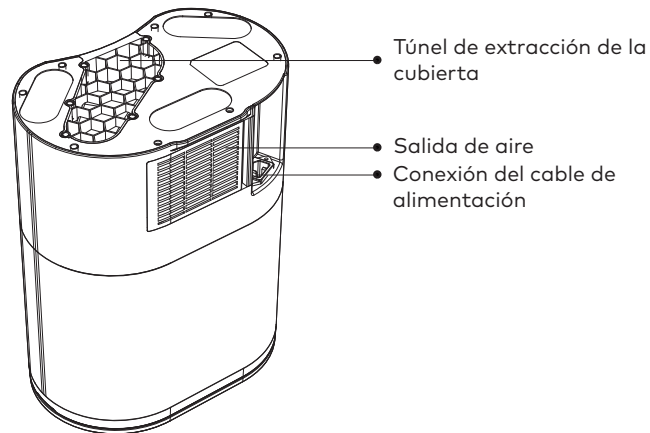
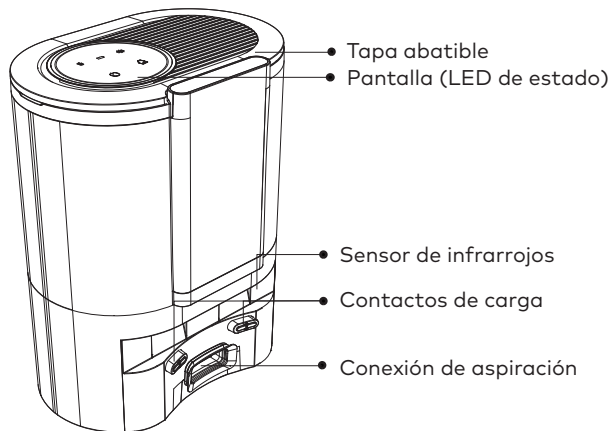


- EN
- DE
- FR
- IT
- ES**
- JP

Contenedor de polvo



Estación de aspiración



EN

DE

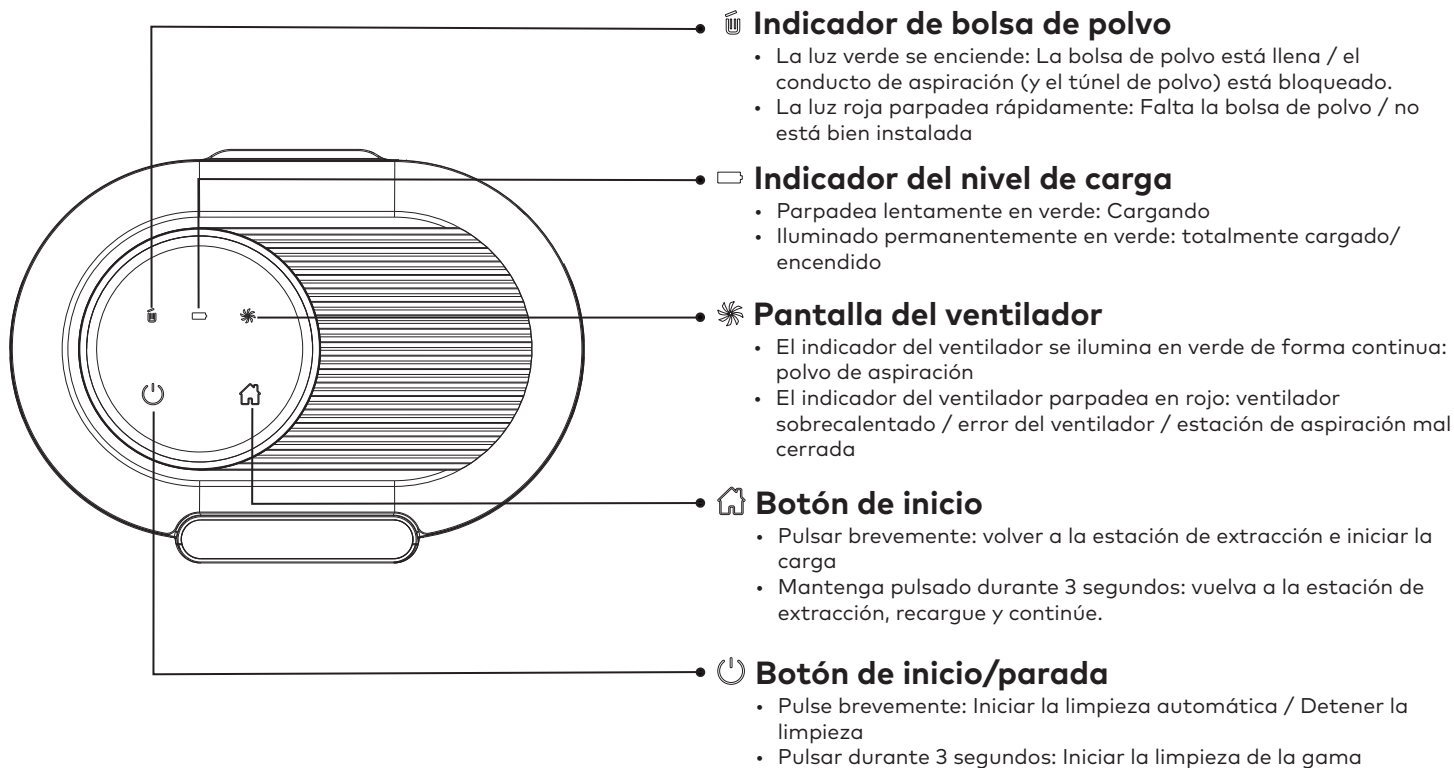
FR

IT

ES

JP

Control de la estación de extracción



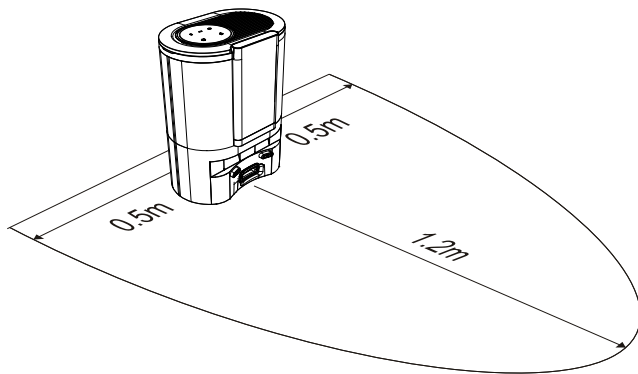
Instrucciones de instalación

Instalación de la estación de extracción

1. La estación de extracción debe colocarse a más de 6 cm de la pared en un terreno llano.



2. Asegúrese de que hay una distancia de más de 1,2 m al frente y más de 0,5 m a cada lado de la estación de extracción.



Información sobre la estación de aspiración

La estación de aspiración está diseñada para aspirar el polvo del robot aspirador y recargarlo. El robot aspirador vuelve automáticamente a la estación de aspiración para aspirar la suciedad y el polvo. Si la batería del robot está baja, vuelve automáticamente a la estación de vacío y se recarga. Cuando una bolsa se llena de polvo y suciedad, debe sustituirse por una nueva para mantener el efecto de filtrado.

EN

DE

FR

IT



ES

JP

Instrucciones de uso


Uso del robot aspirador

Encender/apagar

Mantenga pulsada la tecla  para encender la unidad. Tras la puesta en marcha, mantenga pulsada la tecla  para volver a apagar el sistema.

Nota: Cuando el robot aspirador se carga en la estación de vacío, se enciende automáticamente y no se puede apagar durante el proceso de carga.

Limpiar/romper

Cuando la unidad esté encendida, pulse brevemente la tecla , para empezar a limpiar toda la zona accesible.

Pulse cualquier botón para detener la limpieza.

Si la batería está demasiado débil, la limpieza no arranca. Por favor, cargue primero el aparato y luego comience la limpieza.

Si la batería no está suficientemente cargada durante el proceso de limpieza, el robot aspirador vuelve automáticamente a la estación de aspiración para recargarse. Cuando la batería está cargada al 80%, continúa la limpieza en el punto final anterior.

Nota: Se recomienda que el robot aspirador comience a limpiar desde la estación de aspiración.

Uso de la estación de aspiración


Botón de inicio/parada

Pulse brevemente: Iniciar la limpieza automática / Detener la limpieza

Pulsar durante 3 segundos: Iniciar la limpieza de la zona

Recarga

Carga automática: El robot aspirador vuelve automáticamente a la estación de aspiración para recargarse cuando termina la limpieza o cuando la carga de la batería es baja.

Carga manual: Pulse el botón , para enviar el robot a la estación de carga e iniciar la carga. Después de pausar/parar el robot aspirador, también puede llevarlo manualmente a la estación de aspirado para cargarlo.

Nota: Asegúrese de que los contactos de carga tienen un buen contacto y están limpios.

Modo de hibernación/espera

Si no se inicia ningún ciclo de limpieza durante más de 20 minutos, el robot aspirador pasa automáticamente al modo de reposo.

Nota: El robot aspirador no entra en modo de reposo cuando se carga.




Nota: Si el robot aspirador se ha detenido o se ha parado por sí solo y ya no tiene suficiente batería, se apagará automáticamente.

Botón de inicio

Pulsar brevemente: Vuelve a la estación de extracción e inicia la carga.

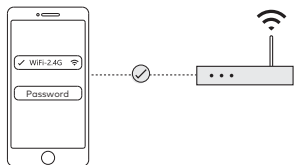
Mantener pulsado durante 3 segundos: Vuelve a la estación de extracción, carga y continúa la limpieza.

Acoplamiento de la estación de aspiración y del robot de aspiración (configurado de fábrica)

1. En la central de vacío 5s, pulse los botones  e : La estación de aspiración se pone en modo de acoplamiento. Las tres luces de la estación de aspiración parpadean en verde.
2. Pulse el botón de inicio  en el robot durante 5 segundos: el robot pasa al modo de emparejamiento y los LEDs del robot parpadean en verde.
3. Coloque la aspiradora robótica en la estación de vacío para cargarla. Una voz confirma que el emparejamiento es/ha sido exitoso.

Conectar los robots a la cloud

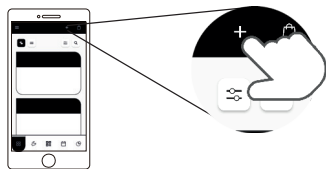
- 1 Conecte su teléfono móvil o tableta a la WLAN deseada (¡la WLAN debe soportar la frecuencia de 2,4 GHz!).



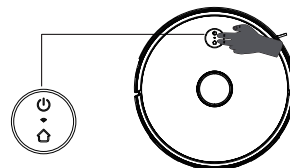
- 2 Escanee uno de los siguientes códigos QR o busque "FieldBots" en la tienda de aplicaciones de su dispositivo móvil. Descargue la aplicación e inicie sesión con su cuenta de FieldBots.



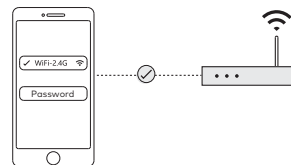
- 3 Haga clic en el "Plus (+)" de la parte superior derecha y seleccione el robot aspirador "Cleanfix S170 Navi".



- 4 Mantenga pulsados los botones "⏻" e "🏠" durante 5 segundos para iniciar la configuración de red del robot aspirador.



- 5 Seleccione la WLAN recién conectada del dispositivo móvil e introduzca de nuevo la contraseña.



- 6 Llame a la configuración de la WLAN de su dispositivo móvil y conéctese a la WLAN. "SmartLife-XXXX".



- 7 Torna a FieldBots e aspetta che la configurazione della rete sia completa.

EN

DE

FR

IT

ES

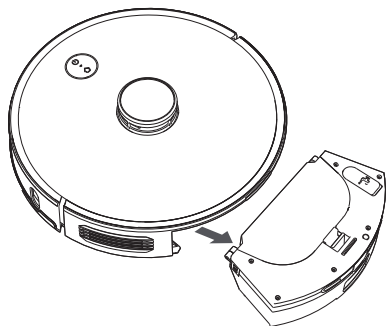
JP

Mantenimiento

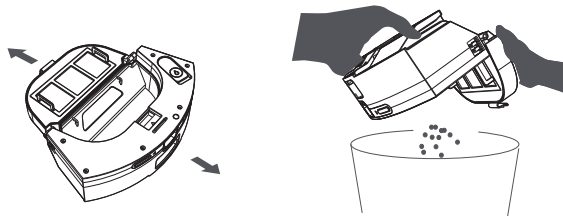
Mantenimiento semanal

Contenedor de polvo

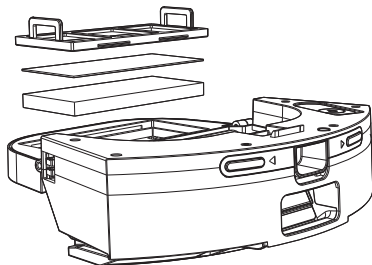
① Pulse el botón de liberación del contenedor de polvo y extraiga el contenedor de polvo por la parte trasera.



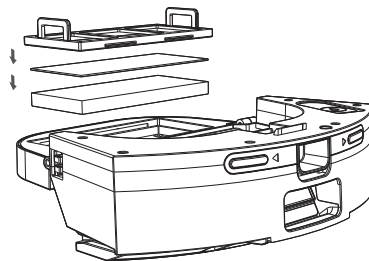
② Abra el contenedor de polvo y vacíelo.



③ Retire y limpie el filtro de suciedad gruesa y la esponja filtrante. Enjuague el filtro de suciedad gruesa y el contenedor de polvo con agua y séquelos. Si está muy sucio, sustituya el filtro HEPA.



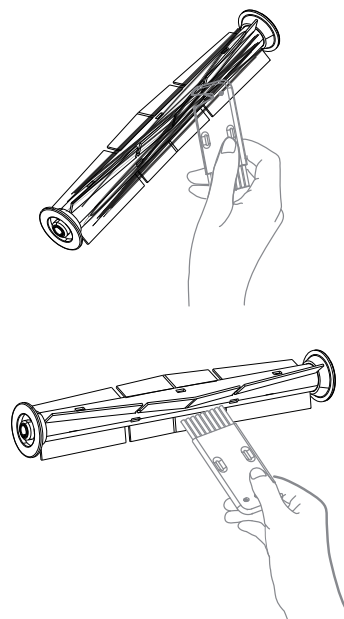
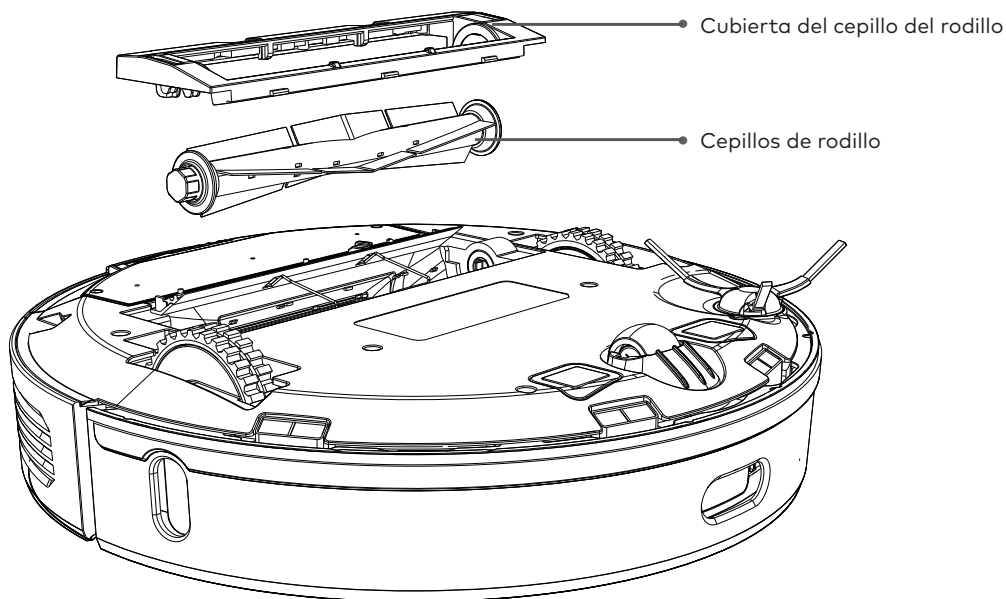
④ Después de que el filtro y el contenedor de polvo se hayan secado completamente, vuelva a montar todo.



Cepillo de rodillo

- ① Gire el robot aspirador, presione los clips de fijación hacia la izquierda y la derecha y retire la cubierta del cepillo de rodillo.
- ② Retire el cepillo del rodillo y libérela de pelos enredados y otras suciedades. Utilice el cepillo de limpieza para ello.
- ③ Vuelva a colocar el cepillo del rodillo y asegúrela con la cubierta del cepillo del rodillo. Asegúrese de que la cubierta encaja correctamente.

Nota: Para obtener los mejores resultados de limpieza, se recomienda (según la aplicación) sustituir el cepillo de rodillo cada 6-12 meses.



EN

DE

FR

IT

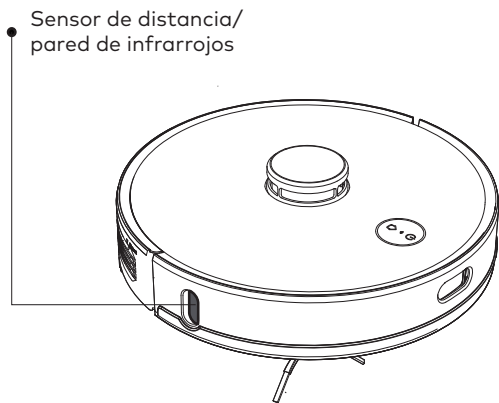
ES

JP

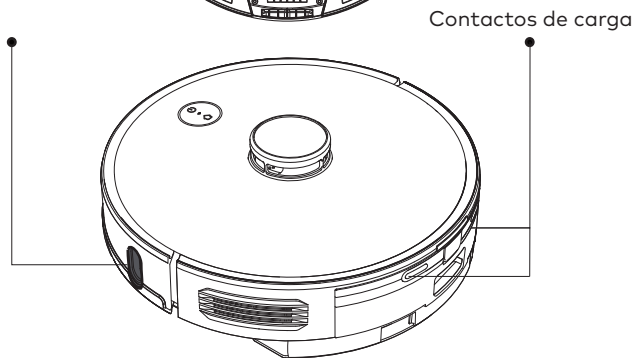
Sensores

Limpie los siguientes sensores del robot aspirador con un paño suave y seco:

- ① Los 4 sensores de caída en la parte inferior del robot aspirador.
- ② El sensor infrarrojo de distancia/pared en el lado derecho de la unidad.
- ③ El sensor de distancia infrarrojo en el lado izquierdo de la unidad.
- ④ Los contactos de carga en la parte trasera del robot de limpieza.



Sensor de distancia
por infrarrojos

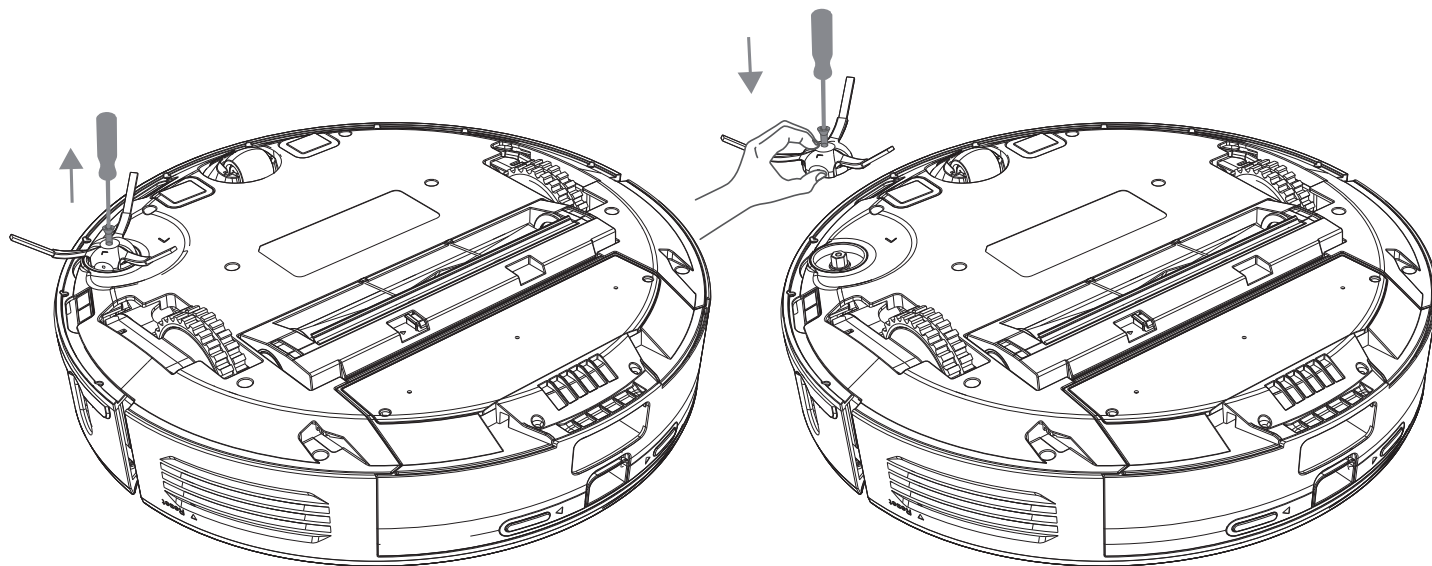


Mantenimiento mensual

Cepillo lateral

- ① Afloje el tornillo del cepillo lateral con un destornillador y retire el cepillo lateral.
- ② Limpie el cepillo lateral y elimine el pelo enredado u otra suciedad.

Nota: Para obtener los mejores resultados de limpieza, se recomienda sustituir el cepillo lateral cada 3-6 meses.



EN

DE

FR

IT

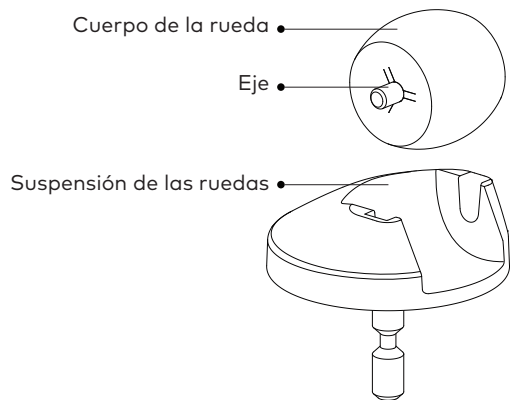
ES

JP


Ruota universale

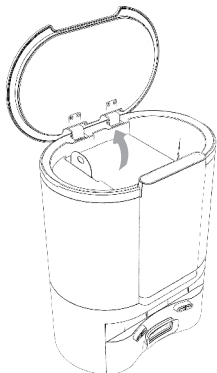
- ① Gire la unidad y tire de la rueda universal hacia arriba.
- ② Retire el pelo y la suciedad de la rueda, el eje y la suspensión.
- ③ Vuelva a colocar la rueda universal y presiónela firmemente en su lugar.

Nota: Lavar con agua, secar y volver a colocar.

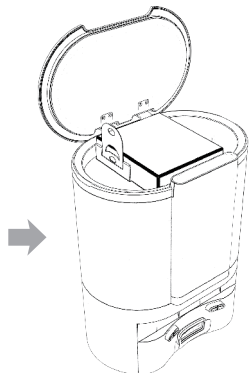


Bolsa de polvo

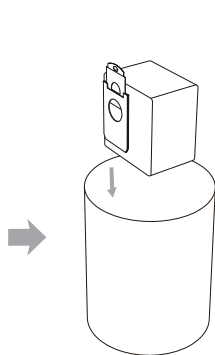
Cuando la bolsa de polvo está llena, el indicador se ilumina  en la estación de extracción está permanentemente verde. Por lo tanto, reemplace la bolsa de polvo completa! Se recomienda sustituir la bolsa de polvo cada 6-8 semanas.



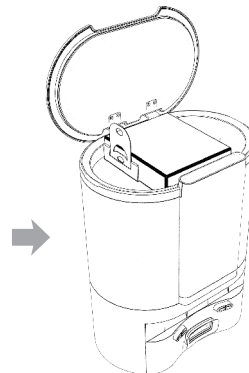
Abrir la tapa



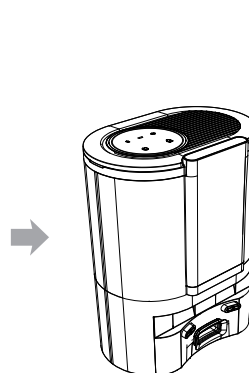
Retire la bolsa de polvo del mango.



Deseche la bolsa de polvo vieja.




Inserte una nueva bolsa de polvo.



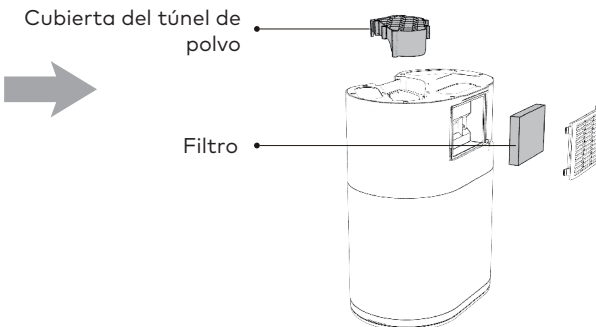
Vuelva a cerrar la estación de extracción.

Nota: El asa de la bolsa de polvo sirve de cierre. Se cierra automáticamente cuando se tira hacia arriba.

Limpeza de la unidad de aspiración

- ① Cuando la luz de la bolsa de polvo  se ilumina en verde fijo pero la bolsa de polvo no está llena, desconecte el enchufe de la estación de extracción y déle la vuelta. Abra la tapa del túnel de polvo aflojando los tornillos* y libérela de suciedad y cuerpos extraños.
- ② Aprire l'uscita dell'aria sul retro della stazione di estrazione e pulire il filtro.

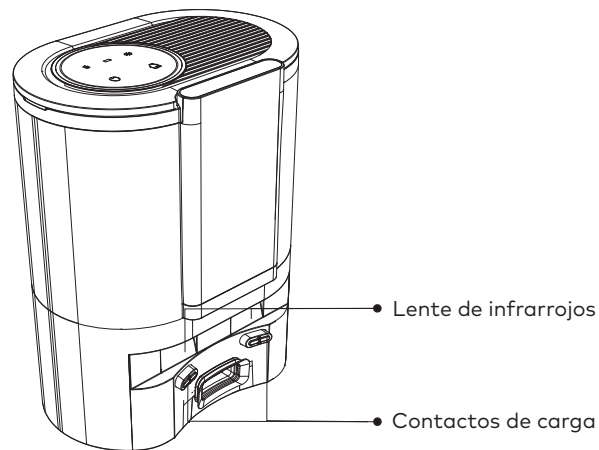
*** No retire los tornillos con fuerza, sino con cuidado con un destornillador. Después de cada desmontaje, vuelva a montar todo según la construcción original.**



Limpeza de la lente infrarroja y de los contactos de carga de la estación de extracción

Compruebe que la lente de infrarrojos y los contactos de carga de la estación de extracción no estén sucios y límpielos con un paño limpio y seco.

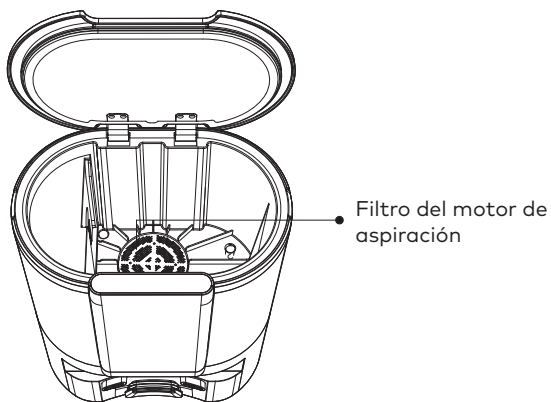
Nota: Se recomienda limpiarlos al menos una vez al mes.



Limpeza del filtro del motor de aspiración

Compruebe si se ha acumulado suciedad en el portafiltro del motor de aspiración. En este caso, retire el filtro y límpielo con el cepillo de limpieza o con un paño seco.

Nota: Se recomienda limpiarlo al menos una vez al mes.



Datos técnicos

Robot aspirador

Descripción	Valor
Dimensiones	φ350mm x φ350mm x 98mm
Peso	≈3.6kg
Tensión nominal	14.4V ===
Potvalor nominal	50W
Capacidad de la batería	5200mAh

Estación de aspiración

Descripción	Valor
Dimensiones	282mm x 361mm x 202mm
Potencia nominal	1050W
Potencia de entrada	100-240V ~50/60Hz
Potencia de salida	DC24V==1.2A

Declaración de la FCC

1. Este dispositivo cumple con la parte 15 de las normas de la FCC. El funcionamiento está sujeto a las dos condiciones siguientes:

- (1) El aparato no debe provocar ondas de radio perjudiciales, y
(2) debe soportar todas las ondas de radio recibidas, incluidas las ondas de radio que puedan causar un funcionamiento no deseado.
2. Los cambios o modificaciones no aprobados expresamente por la parte responsable del cumplimiento podrían anular la autoridad del usuario para utilizar el equipo.

NOTA:

Este equipo ha sido probado y se ha comprobado que cumple con los límites de un dispositivo digital de clase B, de acuerdo con la parte 15 de las normas de la FCC. Estos límites están diseñados para proporcionar una protección razonable contra las interferencias perjudiciales en una instalación residencial. Este equipo genera, utiliza y puede irradiar energía de radiofrecuencia. Si no se instala y utiliza de acuerdo con las instrucciones, puede causar interferencias en otros equipos de radio. Sin embargo, no hay garantía de que no se produzcan interferencias en una instalación concreta. Si este equipo causa interferencias perjudiciales en la recepción de radio o televisión, lo cual puede determinarse apagando y encendiendo el equipo, se recomienda al usuario que intente corregir las interferencias mediante una o varias de las siguientes medidas:

- Reorientar o reubicar la antena receptora.
- Aumente la distancia entre la unidad y el receptor.
- Conecte el aparato a una toma de corriente de un circuito diferente al que está conectado el receptor.
- Póngase en contacto con su distribuidor o con un técnico de radio/televisión experimentado para que le ayude.

Declaración de exposición a la radiación de la FCC

Este equipo cumple con los límites de exposición a la radiación de la FCC establecidos para un entorno no controlado.

Este dispositivo debe instalarse y funcionar con una distancia mínima de 20 cm entre el transmisor y su cuerpo.

Problemas comunes

Descripción del problema	Solución
No es posible la puesta en marcha	<ul style="list-style-type: none"> • La batería es demasiado débil. Reinicie el robot manualmente y cárguelo antes de utilizarlo. • La temperatura ambiente es demasiado baja (menos de 0° C) o demasiado alta (más de 40° C).
No se puede iniciar la limpieza	<ul style="list-style-type: none"> • El nivel de carga de la batería es demasiado bajo. Devuelve el robot a la estación de carga y cárgalo completamente una vez.
La carga no es posible	<ul style="list-style-type: none"> • Demasiados obstáculos cerca de la estación de extracción. Por favor, colóquelo en una zona despejada. • El robot está demasiado lejos de la estación de extracción. Por favor, colóquelo cerca de la estación de extracción.
Comportamiento inusual	<ul style="list-style-type: none"> • Apagar y reiniciar el robot
Se escucha un ruido inusual durante la limpieza	<ul style="list-style-type: none"> • El cepillo del rodillo, el cepillo lateral o la rueda izquierda/derecha están envueltos por objetos extraños, por favor apague el robot y limpie los componentes afectados.
Disminución del rendimiento de la limpieza	<ul style="list-style-type: none"> • El cubo de la basura está lleno, por favor, vacíelo. • El filtro HEPA está obstruido, límpielo o sustitúyalo. • El cepillo del rodillo está envuelto en material extraño, por favor límpielo.
No se puede establecer la conexión Wi-Fi	<ul style="list-style-type: none"> • Es posible que la señal Wi-Fi no sea suficiente. Asegúrese de que la unidad está en un entorno con una cobertura óptima de la señal Wi-Fi. • La conexión Wi-Fi puede verse alterada. Restablece la configuración de red del robot, descarga la última aplicación y vuelve a intentarlo.
La limpieza se ha interrumpido / no se va a continuar	<ul style="list-style-type: none"> • Asegúrese de que la unidad no está en modo "No molestar". La limpieza no puede continuar de esta manera. • Si carga manualmente el robot o lo devuelve a la estación de extracción, no podrá seguir limpiando en la posición anterior.
No hay retorno a la estación de aspiración tras la limpieza puntual o el cambio de posición	<ul style="list-style-type: none"> • Tras una limpieza puntual o una transferencia más larga, la unidad regenera el mapa. • Si la estación de extracción está demasiado lejos, es posible que no pueda encontrarla automáticamente. Por favor, devuelva el robot a la estación de carga/extracción manualmente.
No se puede cargar	<ul style="list-style-type: none"> • Asegúrate de que hay suficiente espacio alrededor de la estación de extracción y de que los contactos de carga no están sucios.
La limpieza programada no funciona	<ul style="list-style-type: none"> • Asegúrese de que la unidad está conectada a una red. • Si no es así, no podrá sincronizar la tarea de limpieza programada.
La máquina está siempre desconectada	<ul style="list-style-type: none"> • Asegúrese de que la unidad está conectada correctamente a una red y siempre está dentro de la cobertura Wi-Fi.
El teléfono móvil no puede emparejar los dispositivos.	<ul style="list-style-type: none"> • Asegúrese de que la estación de vacío y el robot están dentro de la misma cobertura Wi-Fi y que la señal es óptima. Siga las instrucciones para restablecer el Wi-Fi y luego emparejarlo de nuevo.

Mensajes de error

Robot aspirador

Mensaje de error	Solución
Abnormal 1: El sensor LiDAR está bloqueado o perturbado.	Por favor, compruebe si el sensor LiDAR tiene suciedad u objetos extraños y retírelos. Mueva el robot a otra posición y reinícialo.
Abnormal 2: Los sensores de choque están sucios.	Limpie los sensores de choque y coloque el robot en una nueva posición. (ver el manual de instrucciones para la posición de los sensores).
Abnormal 3: Se ha detectado un campo magnético demasiado fuerte.	Por favor, mueva la unidad a otro lugar e inténtelo de nuevo.
Abnormal 4: Por favor, compruebe el escudo frontal (parachoques delantero) y retire cualquier objeto extraño.	Retire cualquier objeto extraño que interfiera con el escudo frontal (parachoques delantero). Debe ser posible presionar el escudo con poca fuerza.
Abnormal 5: La temperatura de la unidad no es normal.	La temperatura del aparato es demasiado alta o demasiado baja. Espere a que la temperatura vuelva a ser normal antes de iniciar la limpieza de nuevo.
Abnormal 6: El proceso de carga está perturbado.	Compruebe que se utiliza la fuente de alimentación original y que está conectada correctamente. Asegúrese de que la estación de extracción está colocada sobre una superficie plana. Limpie los contactos de carga.

EN

DE

FR







IT

ES

JP

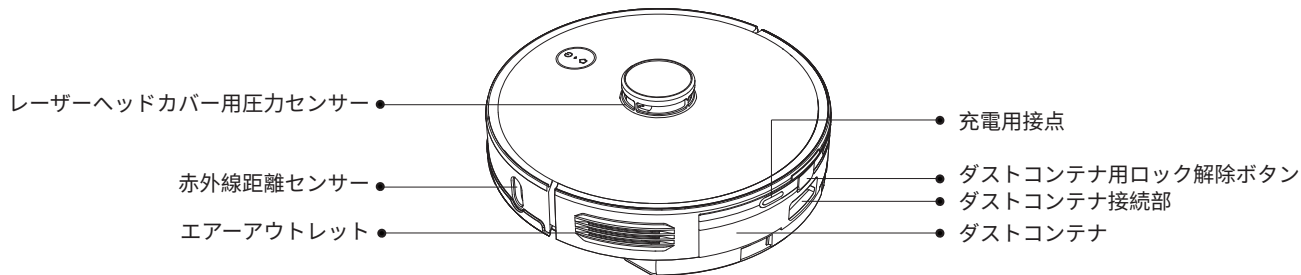
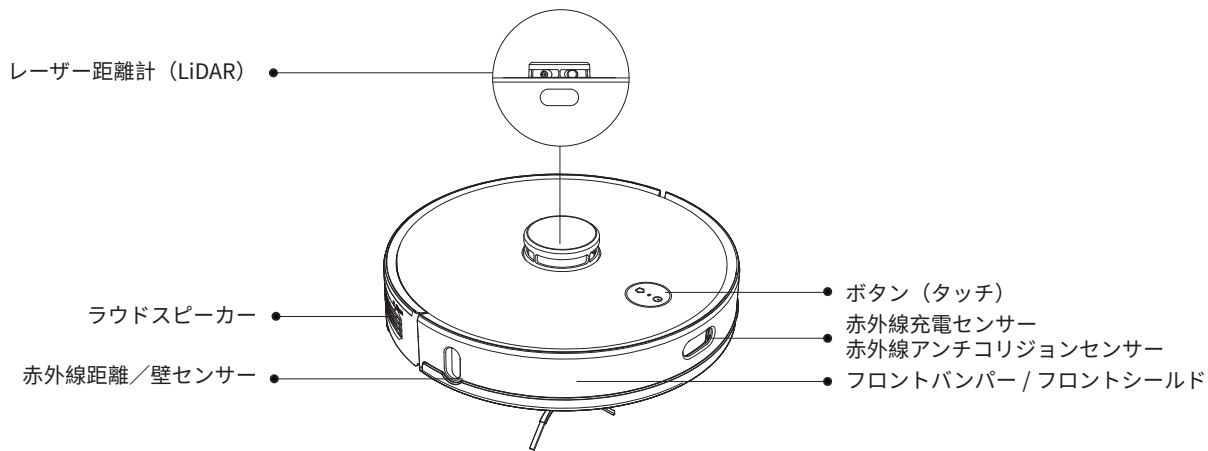
Estación de aspiración

La estación de extracción indica el estado actual a través de los LED de estado situados en la parte superior de la tapa:

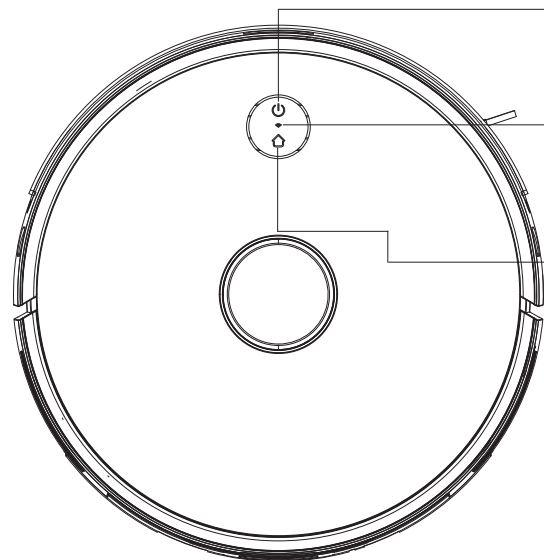
Mensaje de error	Descripción del error	Solución
 Parpadea en rojo	Error del motor de aspiración / sobrecalentamiento / la tapa de la estación de aspiración no está bien cerrada	<ol style="list-style-type: none">1. La aspiración frecuente puede activar la protección contra el sobrecalentamiento del aspirador. Deje que el motor de aspiración se enfríe y vuelva a intentarlo después de unos 30 minutos.2. Asegúrese de que la tapa de la estación de vacío está completamente cerrada y sellada. Asegúrese también de que el robot aspirador esté colocado en la estación de succión para la carga y que los contactos de carga estén en contacto.
 Parpadea en rojo	Bolsa de polvo no instalada / mal instalada	<ol style="list-style-type: none">1. Compruebe si hay una bolsa de polvo instalada. Si no es así, introduzca una nueva bolsa de polvo.2. Compruebe que la bolsa de polvo está correctamente instalada y que los sensores del soporte de la bolsa de polvo detectan la bolsa.
 parpadeando simultáneamente	Fallo en el emparejamiento / no hay aspiradora robótica conectada*. (*La estación de extracción no está conectada a ningún robot aspirador).	<ol style="list-style-type: none">1. Mantenga pulsados los dos botones  e  en la estación de aspiración simultáneamente durante 5 segundos: La estación de aspiración pasa al modo de emparejamiento, los tres LEDs de estado parpadean en verde.2. Mantenga pulsada la tecla  en el robot durante 5 segundos: el robot pasa al modo de emparejamiento, los 2 LEDs de estado parpadean en verde.3. Ahora coloque el robot en la estación de succión para cargarlo y espere el mensaje de voz que confirma el emparejamiento exitoso.

商品説明

ロボット掃除機



制御



🔌 スタート / ポーズボタン

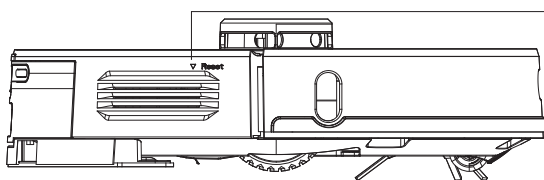
- ・ 長押し: スイッチオン/スイッチオフ
- ・ 短押し: クリーニングの開始 / 停止。

📶 WiFi ディスプレイ

- ・ ディスプレイが白く点滅: ネットワークが接続を確立しています (ネットワーク設定を開始します)。
- ・ インジケーターが白く点灯: ネットワークに接続されています。

🏠 ホームボタン

- ・ を短く押します。充電の開始 / 停止
- ・ 青色点灯: 通常動作 / 一時停止 / スタンバイ
- ・ 青い光が点滅する。本体スイッチオン / ファームウェアアップデート中
- ・ 黄色のランプが点灯している。バッテリー残量不足 / 充電中
- ・ 緑色のランプが点滅します。充電
- ・ 緑色のランプが点灯しています。フル充電
- ・ 赤いランプが点滅する。例外・エラー
- ・ オフ: スイッチオフ / アイドル状態



ネットワーク構成

- ・ 本機の電源が入った状態で、本機を長押しします。🔌 と 🏠 を同時に 5 秒間表示します。

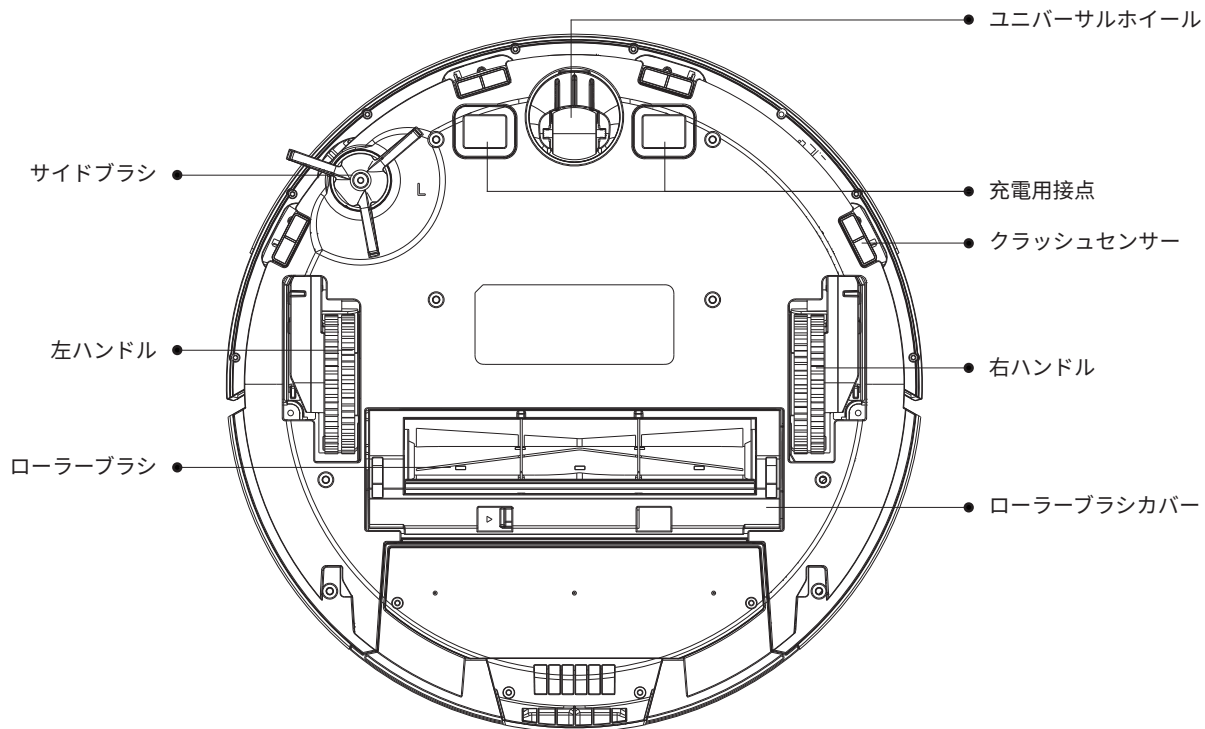
強制シャットダウン

- ・ 短く押すと、電源が切れます。

カップリングモード (サクションステーション付き)

- ・ 電源を入れるときは、長押ししてください。🏠 を 5 秒間押し続けた。

センサー



EN

DE

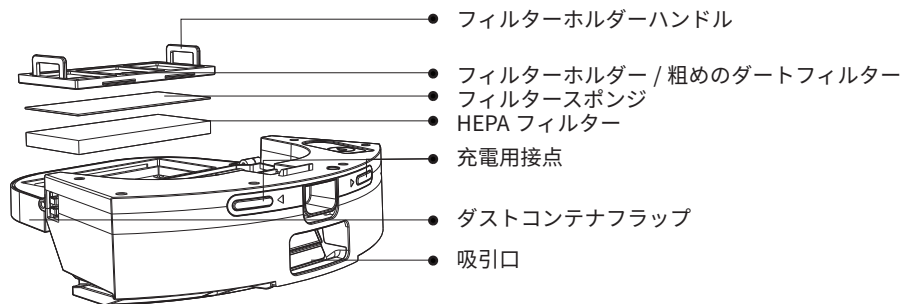
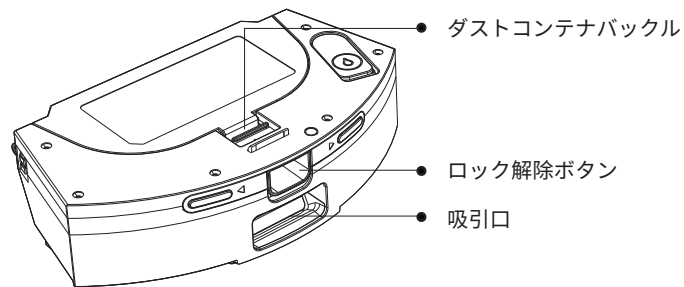
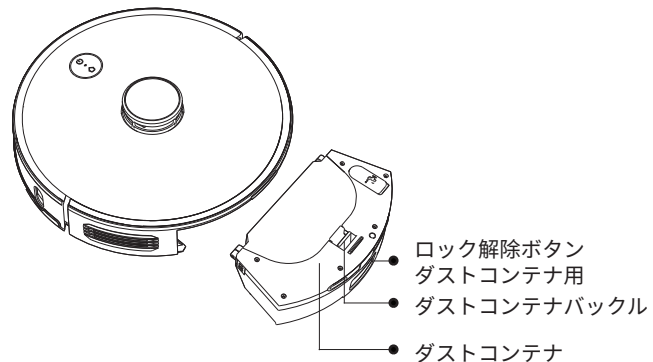
FR

IT

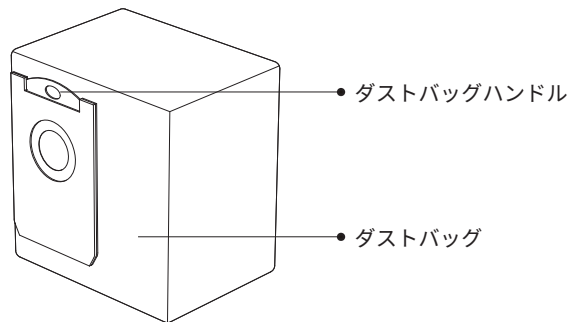
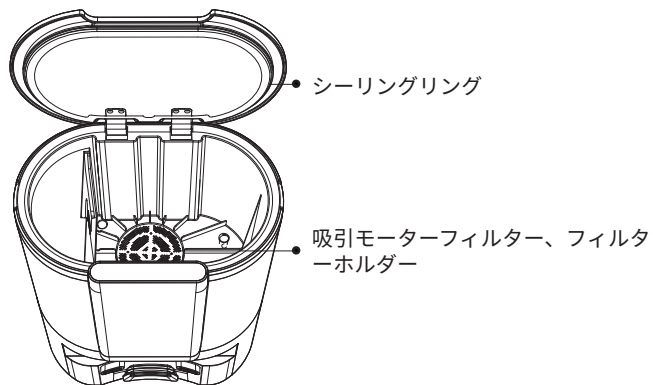
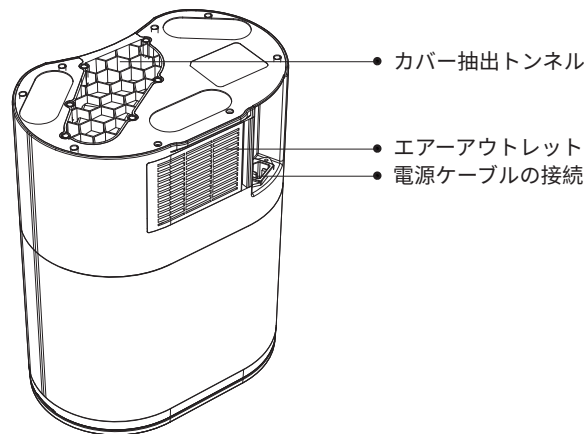
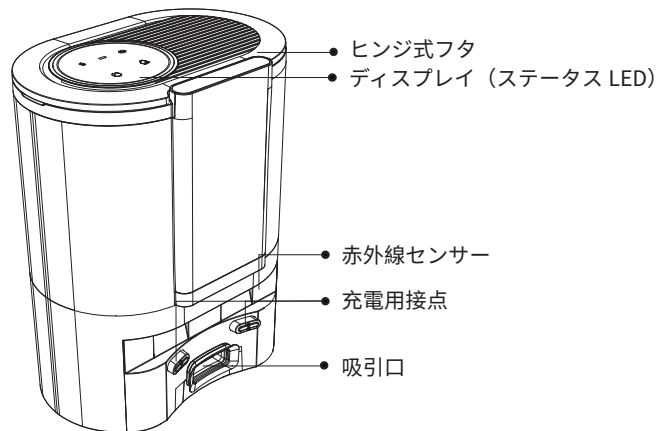
ES

JP

ダストコンテナ



■ サクションステーション



EN

DE

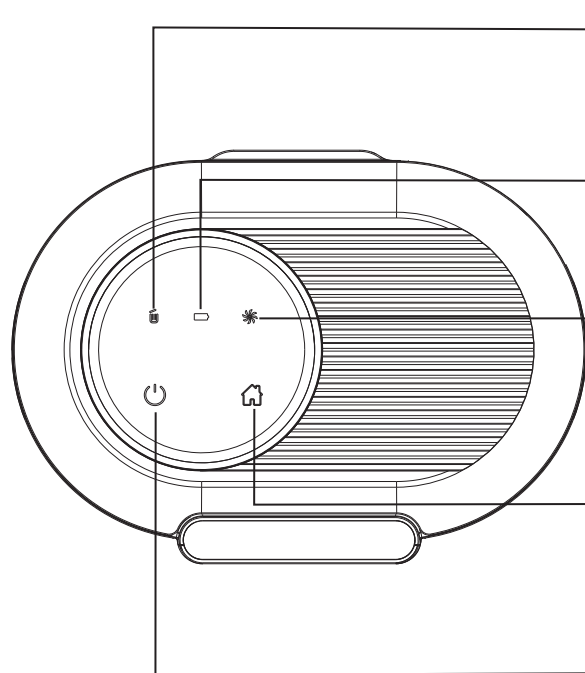
FR

IT

ES

JP

■ コントロールサククションステーション



👛 ダストバッグインジケーター

- 緑色のランプが点灯しています。ダストバッグが満杯になっている / 真空ダクト（およびダストトンネル）がふさがれている。
- 赤いランプが早く点滅：ダストバッグがない / 正しく取り付けられていない

🔋 充電レベル表示

- 充電レベルインジケーターが緑色にゆっくり点滅：充電中
- 充電レベルインジケーターが緑色に点灯し続ける：フル充電 / スイッチオン

✳️ ファンディスプレイ

- ファンインジケータが緑色で点灯し続ける：バキュームダスト
- ファンインジケータが赤く点滅：ファンの過熱 / ファンのエラー / 抽出ステーションがきれいに閉まっていない

🏠 ホームボタン

- 短く押す：抽出ステーションに戻り、充電を開始する
- を3秒間長押しする。抽出ステーションに戻り、充電して続行します。

🔌 スタート / ストップボタン

- を短く押します。自動クリーニング開始 / クリーニング停止
- 3秒長押し：レンジクリーニングの開始

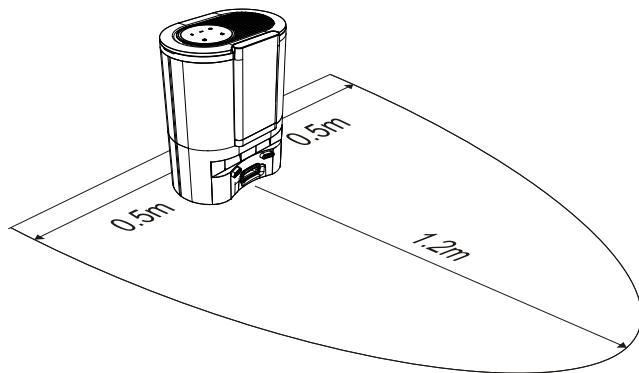
インストール方法

抽出ステーションの設置

1. 抽出ステーションは、壁から 6cm 以上離し、水平な場所に設置してください。



2. 抽出ステーションの前面 1.2m 以上、両側面 0.5m 以上の間隔を空けてください。



サクションステーションに関する情報

吸引ステーションは、ロボット掃除機に付着したゴミを吸引し、充電するためのものです。ロボット掃除機は自動的に吸引ステーションに戻り、ゴミやホコリを吸引してもらいます。また、ロボットのバッテリーが空になると、自動的に吸引ステーションに戻り、充電を行います。ダストバッグはゴミやホコリでいっぱいになったら、フィルター効果を維持するために新しいものに交換する必要があります。

EN

DE

FR

IT

ES

JP

使用説明書

ロボット掃除機の使い方

スイッチ ON/OFF

を押し続けてください。⏻ ボタンを押すと、電源が入ります。起動後、長押しして⏻ 押し再度シャットダウン。

備考: ロボット掃除機を吸引ステーションで充電すると、自動的にスイッチが入り、充電中はスイッチを切ることができません。

クリーン／ブ레이크

本機の電源が入っているときに、短く押してください。⏻ をクリックすると、アクセス可能なエリア全体のクリーニングを開始します。

いずれかのボタンを押すと、クリーニングを停止します。

電池が消耗していると、クリーニングが開始されません。まず充電してから、クリーニングを開始してください。

掃除中に充電が足りなくなると、ロボット掃除機は自動的に吸引ステーションに戻り、充電を行います。80% まで充電されると、前回の終了地点でクリーニングを継続します。

備考: ロボット掃除機は、吸引ステーションから掃除を開始することをお勧めします。

サクシオンステーションの使用

⏻ スタート / ストップボタン

を短く押します。自動クリーニング開始／クリーニング停止 3 秒間押す。エリアクリーニング開始

吸引ステーションと吸引ロボットの結合（既設の構成）

1. 吸引ステーション 5s で、ボタンを押す⏻ と ⏻: 吸引ステーションはペアリングモードに設定されています。吸着部の 3 つのインジケータランプが緑色に点滅します。
2. ホームボタンを押す ⏻ を 5 秒間点灯: ペアリングモードに切り替わり、ロボットの LED が緑色に点滅します。
3. ロボット掃除機を吸引台に置いて充電してください。音声でペアリングが成功したことを確認します。

リチャージ

自動充電: ロボット掃除機は、掃除が完了したときや充電量が不足したときに、自動的に吸引ステーションに戻り、充電を行います。

マニュアルローディング: キーを押す⏻ をクリックすると、ロボットが充電ステーションに送られ、充電が開始されます。ロボット掃除機を一時停止 / 停止した後、手動 / 手動で吸引ステーションまで持っていく、充電することも可能です。

備考: 充電用接点が良好に接触し、清潔であることを確認してください。

ハイバネーション / スタンバイモード

20 分以上掃除が開始されないと、ロボット掃除機は自動的にスリープモードに移行します。

備考: ロボット掃除機は、充電中はスリープモードになりません。

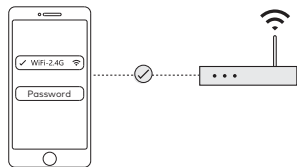
備考: ロボット掃除機が一時停止したり、自ら停止して充電が足りなくなった場合、自動的に停止します。

🏠 ホームボタン

短く押す: 抽出ステーションに戻り、充電を開始します。
を 3 秒間長押しする。吸引ステーションに戻り、充電してから洗浄を続けます。

ロボットとクラウドをつなぐ

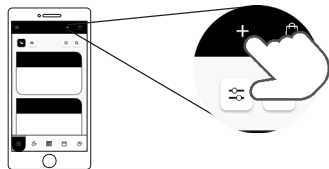
- ① 携帯電話やタブレットを目的のWiFiに接続する。(WiFiは2.4GHzの周波数に対応している必要があります。)





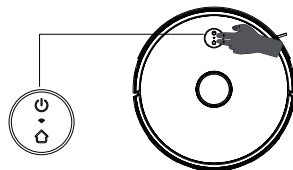
- ② 以下のQRコードを読み取るか、モバイル端末のアプリストアで「FieldBots」を検索してください。アプリをダウンロードし、FieldBotsのアカウントでログインしてください。



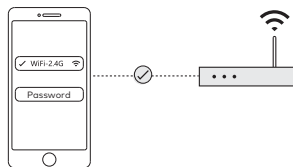
- ③ 右上の「プラス (+)」をクリックし、ロボット掃除機「Cleanfix S170 Navi''」を選択します。



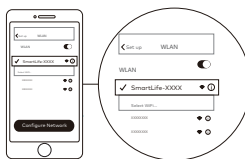
- ④ ロボット掃除機のネットワーク設定を開始するには、「」と「」ボタンを5秒間押し続けます。



- ⑤ 最近接続したモバイル端末のWiFiを選択し、再度パスワードを入力してください。



- ⑥ ここで、モバイル端末のWLAN設定を開き、WiFi「SmartLife-XXXX」に接続してください。



- ⑦ FieldBotsに戻り、ネットワーク設定が完了するのを待ちます。

EN

DE

FR

IT

ES

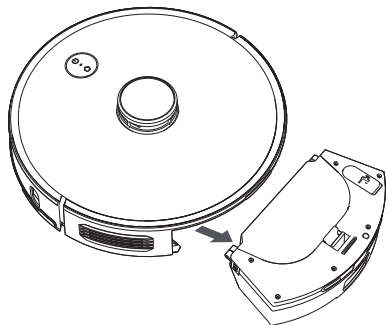
JP

メンテナンス

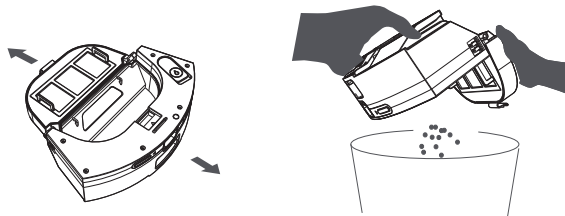
週1回のメンテナンス

ダストコンテナ

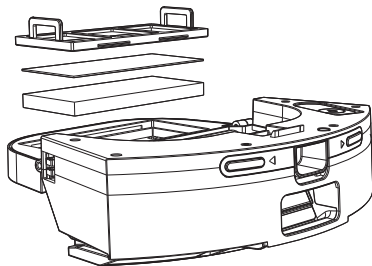
① ダストコンテナ解除ボタンを押し、ダストコンテナを奥に引き抜く。



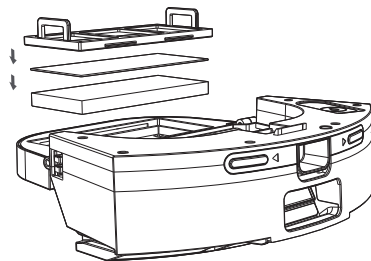
② ダスト容器を開けて、空にする。



③ 粗い汚れ用フィルターとフィルタースポンジを取り外して掃除する。粗大ゴミ用フィルターとダストコンテナを水で洗い流し、乾燥させる。汚れがひどい場合は、HEPA フィルターを交換してください。



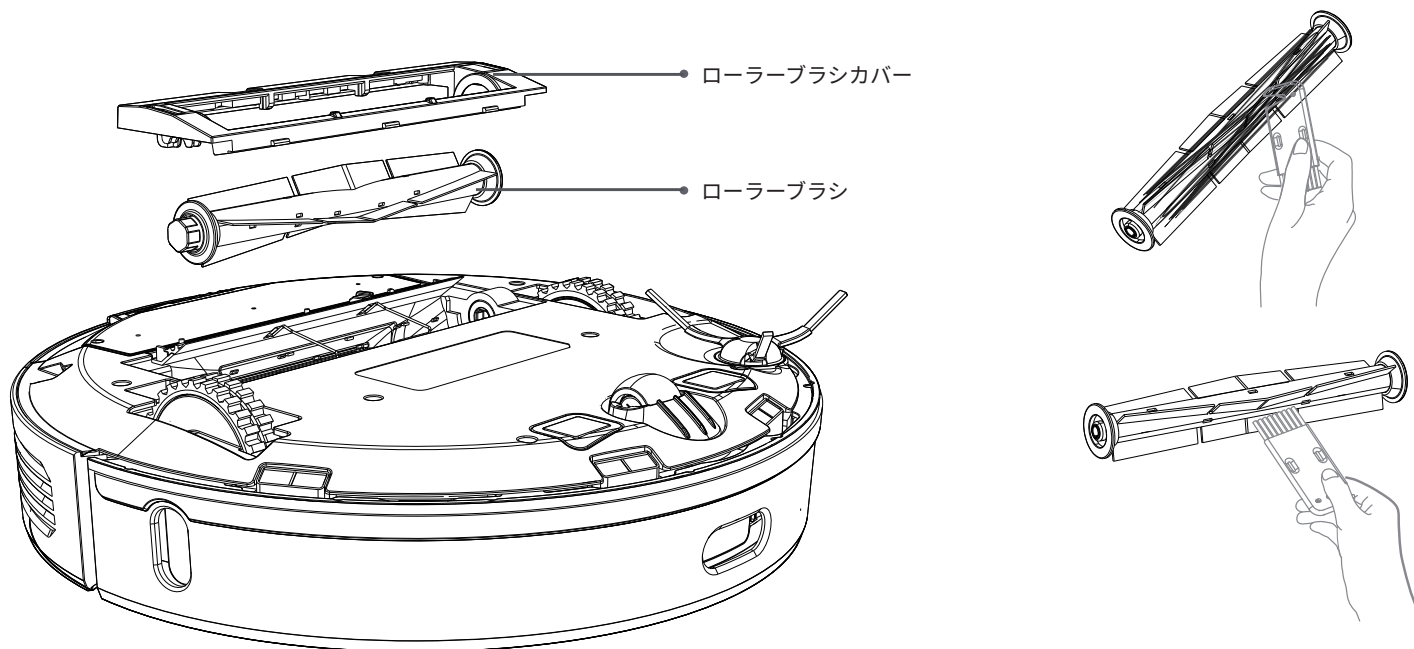
④ フィルターとダストコンテナが完全に乾いたら、すべてを元通りにしてください。



ローラーブラシ

- ① ロボット掃除機を裏返し、左右の固定クリップを押して、ローラーブラシカバーを取り外します。
- ② ローラーブラシを取り外し、毛の絡まりや汚れなどを取り除きます。その際は、クリーニングブラシをご使用ください。
- ③ ローラーブラシを交換し、ローラーブラシカバーで固定します。カバーがうまくはまるかどうか、確認してください

備考：最高のクリーニング効果を得るために、ローラーブラシは6～12カ月ごとに交換することをお勧めします（用途によって異なります）。



EN

DE

FR

IT

ES

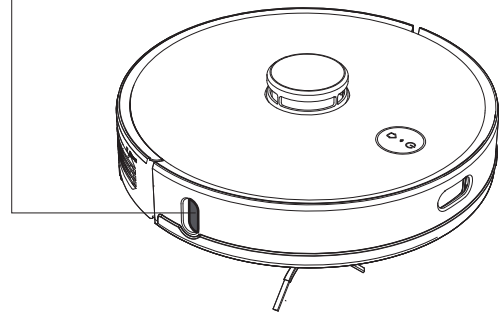
JP

センサー

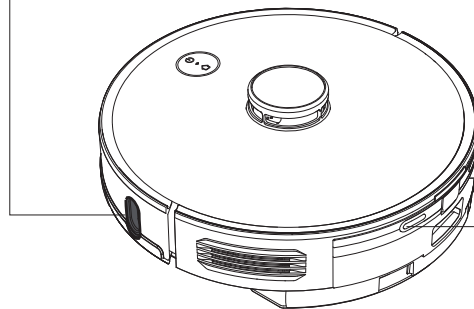
ロボット掃除機の以下のセンサーを乾いた柔らかい布で掃除してください。

- ① ロボット掃除機の下側にある4つの落下センサー。
- ② 本体右側面の赤外線距離 / 壁面センサー。
- ③ 本体左側面にある赤外線距離センサー。
- ④ お掃除ロボットの背面にある充電用接点。

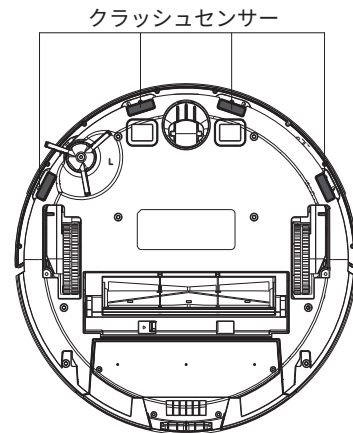
赤外線距離 / 壁面センサー



赤外線距離センサー



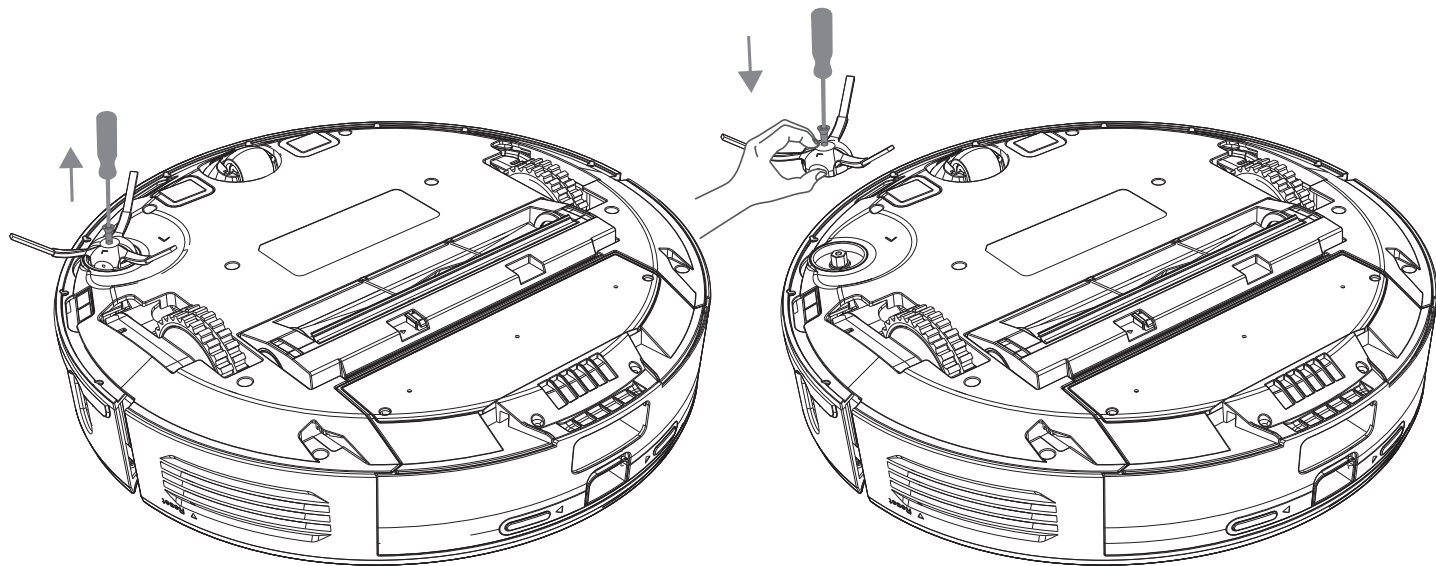
充電用接点



月次メンテナンス サイドブラシ

- ① ドライバーでサイドブラシのネジを緩め、サイドブラシを分解する。
- ② サイドブラシを掃除して、絡まった毛などの汚れを取り除く。

備考：最高の洗浄効果を得るために、サイドブラシは3～6ヵ月ごとに交換することをお勧めします。



EN

DE

FR

IT

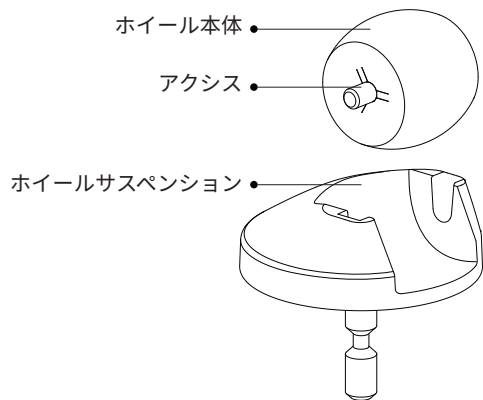
ES

JP

ユニバーサルホイール

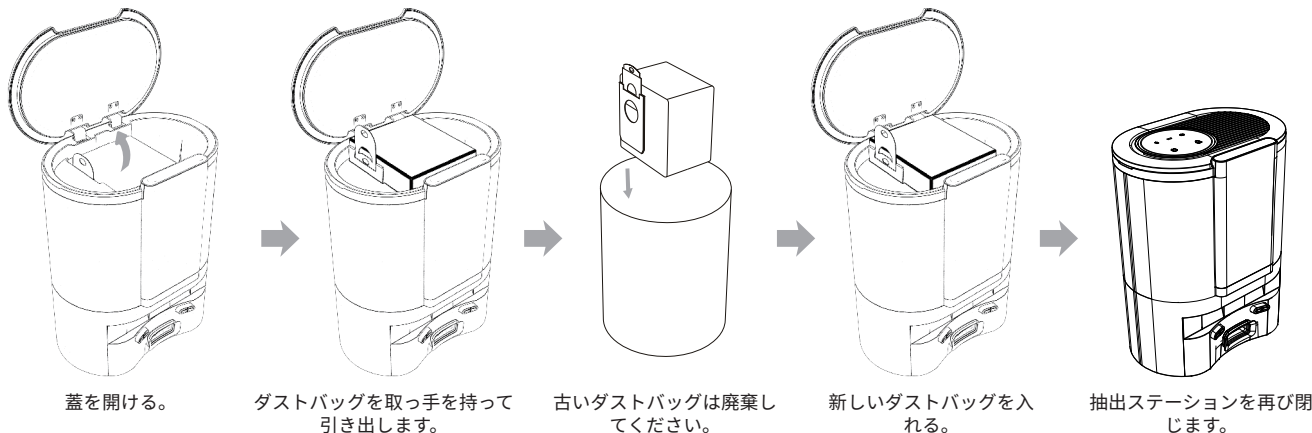
- ① 本体を裏返し、ユニバーサルホイールを上引き抜きます。
- ② ホイール、車軸、サスペンションに付着した髪の毛や汚れを取り除く。
- ③ ユニバーサルホイールを交換し、しっかりと押し込んでください。

備考：水で洗い、乾かして交換する。



ダストバッグ

ダストバッグが満杯になると、インジケーターが点灯します。 が緑色に点灯します。その後、ダストバッグを全交換してください。ダストバッグは、6～8週間ごとに交換することをおすすめします。

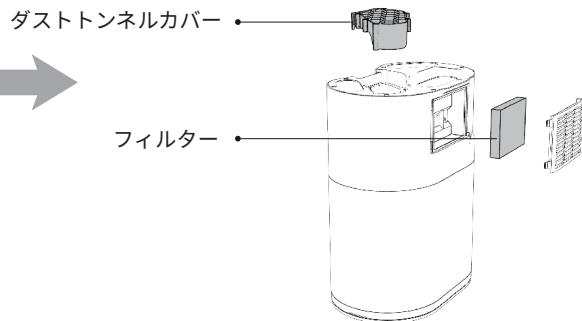


備考：ダストバッグのハンドルは、留め具として機能します。引き上げると自動的に閉じます。

吸引ユニットの清掃

- ① ダストバッグの表示ランプが点灯したとき が緑色に点灯しているが、ダストバッグが満杯になっていない場合は、抽出ステーションの主電源プラグを外し、裏返してください。ネジをゆるめて、ダストトンネルのカバーを開ける*と、汚れや異物から解放されます。
- ② 抽出ステーション背面の空気排出口を開け、フィルターを清掃してください。

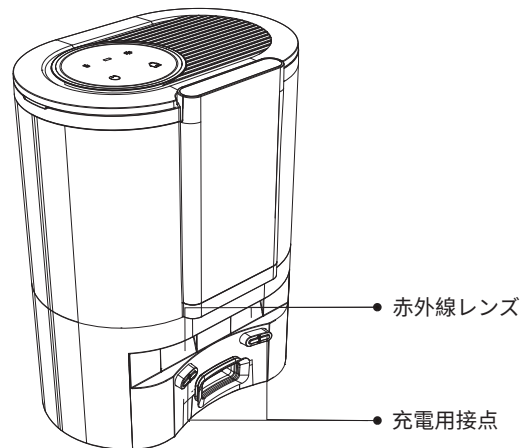
* ネジは無理に外さず、ドライバーで慎重に外してください。分解した後は、元の構造に従ってすべて組み立て直してください。



■ 赤外線レンズと抽出ステーションの充電接点のクリーニング

抽出ステーションの赤外線レンズと充電接点が汚れていないか確認し、清潔な乾いた布で拭いてください。

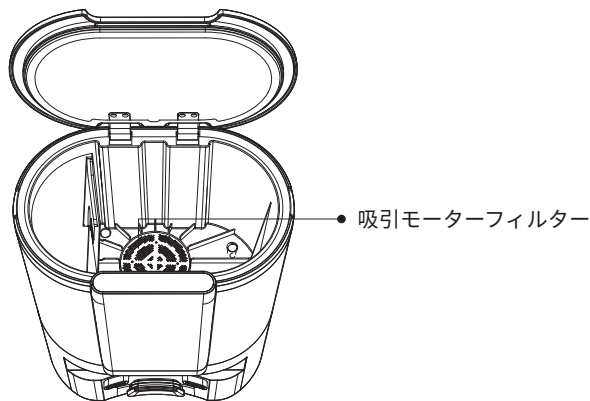
備考：少なくとも月に一度は掃除することをお勧めします。



■ 吸引モーターフィルターの清掃

吸引モーターのフィルタホルダにゴミが溜まっていないか確認してください。その場合は、フィルターを取り外して、クリーニングブラシや乾いた布で掃除してください。

備考：少なくとも月に一度は掃除することをお勧めします。



技術データ

ロボット掃除機

商品説明	価値
外形寸法図	φ350mm x φ350mm x 98mm
重量	≈ 3.6kg
定格電圧	14.4V ---
公称出力	50W
電池容量	5200mAh

FCC 声明

1. この装置は FCC 規則の Part15 に適合しています。動作は以下の 2 つの条件を満たすことが必要です。

- (1) 電化製品は有害な電波を発生させないこと、および
 - (2) は、不要な動作を引き起こす可能性のある電波を含め、受信するすべての電波に耐える必要があります。
2. 本書の内容については、万全を期して作成しましたが、万一ご不審な点や誤りなど、お気づきの点がありましたらご連絡ください。

注意：

この装置は、FCC 規則のパート 15 に従って、クラス B デジタルデバイスの制限に準拠することが試験により確認されています。これらの制限は、住宅用設備において有害な干渉から妥当に保護するように設計されています。この装置は、無線周波エネルギーを発生、使用、および放射することがあります。指示に従わずに設置・使用すると、他の無線機器に障害を与える可能性があります。ただし、特定の設置場所において干渉が発生しないことを保証するものではありません。ラジオまたはテレビ受信に対する干渉が明らかの場合（機器の電源を切ったり入れたりすることで判断できる）、ユーザーは以下の手段の 1 つまたは複数によって干渉を修正するよう試みるのが推奨されます。

- 受信アンテナの向きを変える、または位置を変える。
- 本機と受信機の距離を離す。
- 本機を、受信機が接続されている回路とは別の回路のコンセントに接続してください。
- 販売店または経験豊富なラジオ・テレビ技術者にご相談ください。

放射線被曝に関する FCC 声明

この装置は、制御されていない環境に対して設定された FCC 放射線暴露制限に適合しています。この機器は、送信機と身体との距離を 20cm 以上離して設置・操作する必要があります。

サクシヨンステーシヨン

商品説明	価値
外形寸法図	282mm x 361mm x 202mm
公称出力	1050W
入力電力	100-240V ~50/60Hz
出力電力	DC24V---1.2A

EN

DE

FR

IT

ES

JP

よくある問題

問題の内容	解決方法
起動ができない	<ul style="list-style-type: none">・ バッテリーが弱すぎる。ロボットを使用する前に手動でリセットし、充電してください。・ 周囲温度が低すぎる (0°C以下)、または高すぎる (40°C以上)。
クリーニングを開始できない	<ul style="list-style-type: none">・ バッテリーの充電レベルが低すぎる。ロボットを充電ステーションに戻し、一度フル充電する。
充電ができない	<ul style="list-style-type: none">・ 抽出ステーション付近に障害物が多すぎる。空いている場所に置いてください。・ ロボットが取り出しステーションから離れすぎている。抽出ステーションの近くに設置する。
異常な行動	<ul style="list-style-type: none">・ ロボットのシャットダウンと再起動
洗浄中に異音がる	<ul style="list-style-type: none">・ ローラーブラシ、サイドブラシ、左右の車輪に異物が巻きついている場合は、ロボットの電源を切り、該当する部品を清掃してください。
洗浄性能の低下	<ul style="list-style-type: none">・ ダストボックスが満杯です。・ HEPA フィルターが目詰まりしているため、清掃または交換をしてください。・ ローラーブラシに異物が巻きついているので、清掃してください。
Wi-Fi 接続が確立できない	<ul style="list-style-type: none">・ Wi-Fi の電波が十分でない可能性があります。本機が Wi-Fi の電波が最適に届く環境にあることを確認してください。・ Wi-Fi 接続に支障をきたす場合があります。ロボットのネットワーク設定をリセットし、最新のアプリをダウンロードしてから、再度お試しください。
クリーニングを一時停止／継続しない	<ul style="list-style-type: none">・ 本機が「Do not disturb」モードになっていないことを確認してください。このモードでは、クリーニングを継続することができなくなります。・ 手動で充電したり、取り出しステーションに戻した場合、前の場所で清掃を続けることはできません。
ポイントクリーニングや位置変更後に吸引ステーションに戻らないこと	<ul style="list-style-type: none">・ スポットクリーニングや長時間の移設の後、本機はマップを再生する。・ 吸着部が遠いと、自動で見つけられないことがあります。ロボットを充電ステーション / 吸着ステーションに手動で戻してください。
読み込めません	<ul style="list-style-type: none">・ 抽出ステーションの周囲に十分なスペースがあること、充電接点が汚れていないことを確認してください。
定期クリーニングが機能しない	<ul style="list-style-type: none">・ 本機がネットワークに接続されていることを確認する。・ そうでない場合は、クリーニングのスケジュールタスクを同期させることはできません。
マシンが常にオフラインの状態	<ul style="list-style-type: none">・ 本機がネットワークに正常に接続され、常に Wi-Fi エリア内にあることを確認してください。
携帯電話ではペアリングできません。	<ul style="list-style-type: none">・ 吸着ステーションとロボットが同じ Wi-Fi エリア内にあり、電波が最適であることを確認してください。指示に従って Wi-Fi をリセットし、再度ペアリングを行ってください。

エラーメッセージ

ロボット掃除機

エラーメッセージ	解決方法
異常値 1: LiDAR センサーがブロックされたり、妨害されたりしている。	LiDAR センサーにゴミや異物がないかを確認し、取り除いてください。ロボットを別の場所に移動し、再起動する。
異常値 2: クラッシュセンサーが汚れている。	衝突センサーを清掃し、ロボットを新しい場所に配置する。 (センサーの位置は取扱説明書をご覧ください)。
異常値 3: 強すぎる磁場が検出された。	本体を別の場所に移動して、再度お試しください。
異常値 4: フロントシールド (フロントバンパー) を確認し、異物を取り除いてください。	フロントシールド (フロントバンパー) に干渉する異物を取り除いてください。シールドは、小さな力で押せることが必要です。
異常値 5: 本体温度が正常でない。	機器の温度が高すぎる、または低すぎる。温度が元に戻るまで待つてから、再度クリーニングを始めてください。
異常値 6: 充電に支障が出る。	純正の電源ユニットが使用されているか、プラグが正しく差し込まれているかを確認してください。 抽出ステーションが水平で平らな面に置かれていることを確認します。充電用接点を清掃してください。

EN

DE

FR





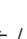

IT

ES

JP

■ サクシヨンステーション

抽出ステーションは、蓋の上部にあるステータス LED で現在の状態を表示します。

エラーメッセージ	エラーの説明	解決方法
 赤色で点滅	吸引モーターエラー / オーバーヒート / 吸引ステーションのカバーが正しく閉まっていない	<ol style="list-style-type: none">1. 頻繁に吸引すると、吸引ステーションの過熱保護機能が作動することがあります。吸引モーターを冷やし、約 30 分後に再試行してください。2. 吸着ステーションのカバーが完全に閉まり、密閉されていることを確認してください。また、ロボット掃除機を充電用の吸引台に置き、充電用の接点が接触していることを確認してください。
 赤色で点滅	ダストバッグが装着されていない / 正しく装着されていない	<ol style="list-style-type: none">1. ダストバッグが装着されているか確認する。そうでない場合は、新しいダストバッグを挿入してください。2. ダストバッグが正しく取り付けられているか、ダストバッグホルダーのセンサーがバッグを検知しているかを確認してください。
 フラッシング 同時に	ペアリングに失敗しました / ロボット掃除機が接続されていません*。 (※ サクシヨンステーションは、どのロボット掃除機にも接続できません)。	<ol style="list-style-type: none">1. 2つのボタンを長押しする  と  を同時に 5 秒間、吸引ステーション上に置く。吸引ステーションはペアリングモードになり、3つのステータス LED が緑色に点滅します。2. ボタンを長押しする  を 5 秒間、ロボットの上に置いてください。ロボットはペアリングモードになり、2つのステータス LED が緑色に点滅します。3. ロボットを吸盤の上に置いて充電し、ペアリングが成功したことを確認する音声ブロンプトを待ちます。

**Switzerland / International:**

Cleanfix Reinigungssysteme AG
Stettenstrasse 15
CH-9247 Henau
+41 71 955 47 47
info@cleanfix.com
www.cleanfix.com

Germany:

Cleanfix Reinigungssysteme GmbH
Am Weiher 2
DE-63505 Langenselbold
+49 6184 93 12 0
info@cleanfix.de
www.cleanfix.de

Austria:

Cleanfix Reinigungssysteme GmbH
Dr. Hans Lechner Strasse 5
AT-5071 Wals-Siezenheim
+43 662 85 69 53
info@cleanfix.at
www.cleanfix.at