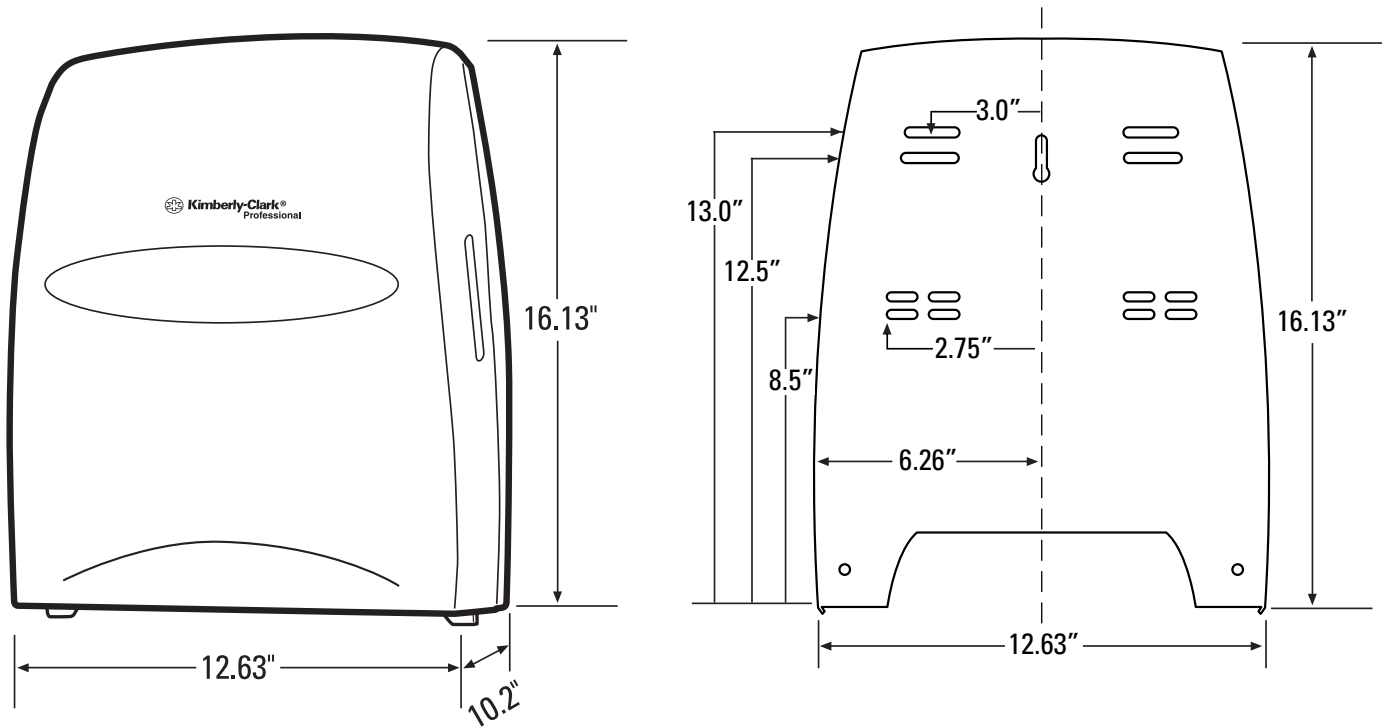


Kimberly-Clark Professional™ Manual Hard Roll Towel Dispenser



- Made of ABS plastic
- Choice of white with clear window or black with translucent window
- Dispenses one 8" diameter, 950' roll towel
- Dispenser advances and cuts a nominal 12" of towel when activated by pulling exposed towel
- Includes emergency feed knob
- Choice of key-activated spring lock or push-button operation
- One per case

Product Codes:

| | | | |
|-------------------------------------|-------------------------------------|--------------------------------------|--------------------------------------|
| 09991 White, 1.5" Core | 09990 Black, 1.5" Core | 09995 White, 1.75" Core | 09996 Black, 1.75" Core |
|-------------------------------------|-------------------------------------|--------------------------------------|--------------------------------------|

Suggested mounting height is 48" from the floor or 12" above a counter to the bottom of the dispenser.
When installed properly and used with the corresponding product, this dispenser meets ADA Standard 28 CFR Part 36, local rules may vary.