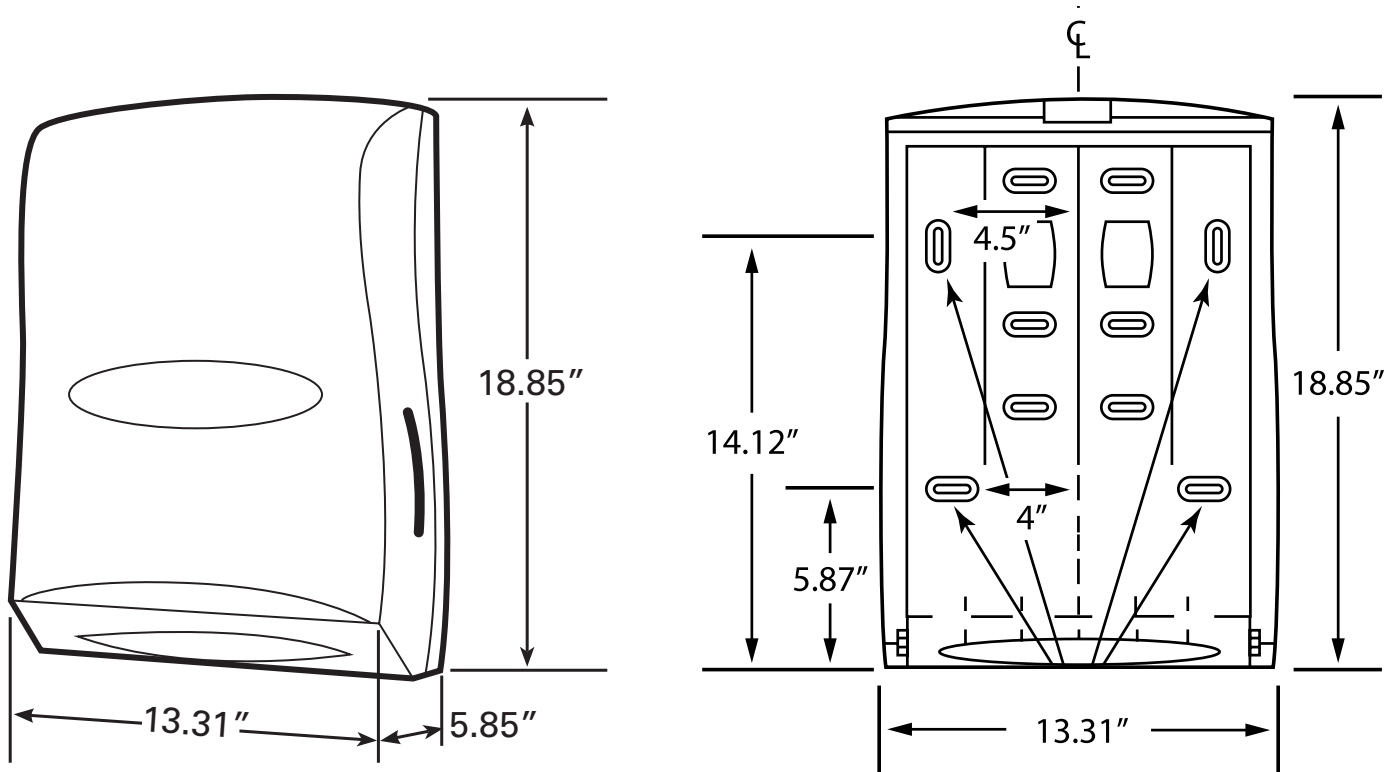


Universal Folded Towel Dispenser



- Made of ABS plastic with view windows located on both sides to allow for easy checking of towel level
- Accommodates multiple clips of Scottfold™, Multi-Fold, or C-Fold Towels (8.0" – 10.1" width) to help reduce maintenance
- Features include key-activated spring lock or push-button operation and hinged front cover

- Overfill mechanism to minimize tears and tabs from dispenser being overfilled
- Hardware included for mounting
- One per case

Product Codes:

09906
White

09905
Black

Suggested mounting height is 48" from the floor or 12" above a counter to the bottom of the dispenser.

When installed properly and used with the corresponding product, this dispenser meets ADA Standard 28 CFR Part 36, local rules may vary.